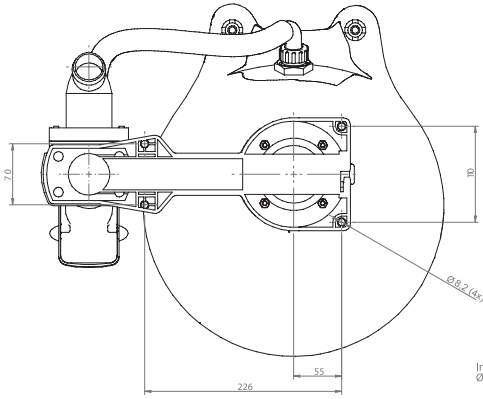
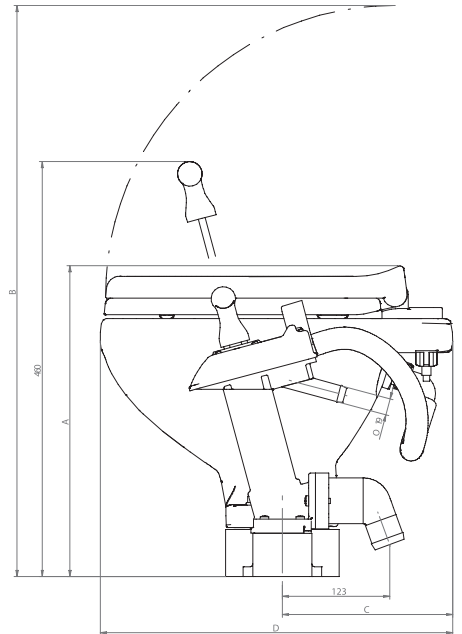
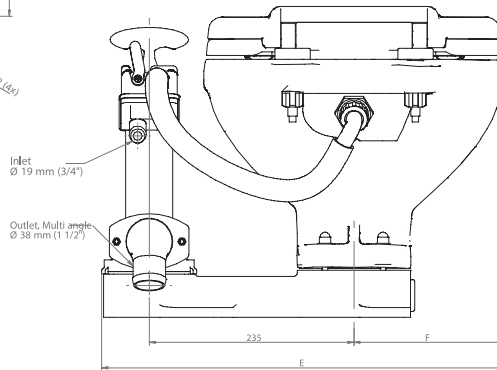


**AquaT™ MANUAL TOILET**

Part No.	Description	Net Weight		A	B	C	D	E	F	mm/ inch
		kg	lbs							
80-47625-01	AquaT™ Manual Super Compact	8,5	19	310	610	215	410	460	170	mm
				12,2	24,0	8,5	16,1	18,1	6,7	inch
80-47229-01	AquaT™ Manual Compact	8,3	18	355	650	215	410	455	170	mm
				14,0	25,6	8,5	16,1	17,9	6,7	inch
80-47230-01	AquaT™ Manual Comfort	11	24	345	730	250	470	465	175	mm
				13,6	28,7	9,8	18,5	18,3	6,9	inch

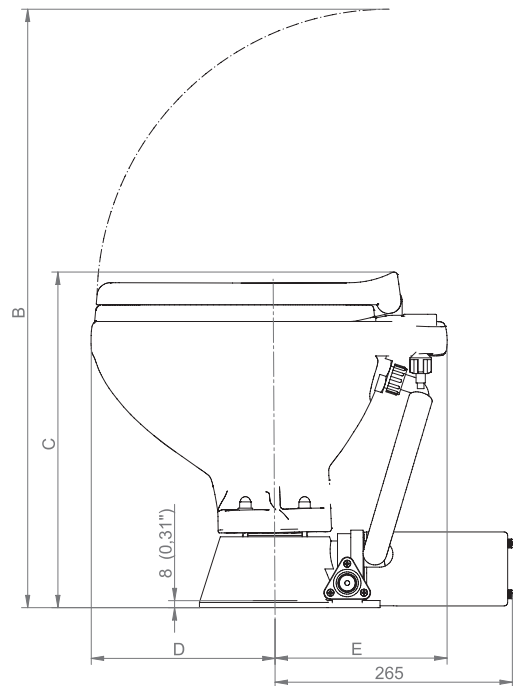
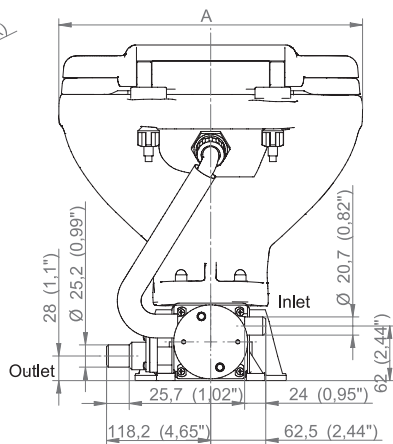
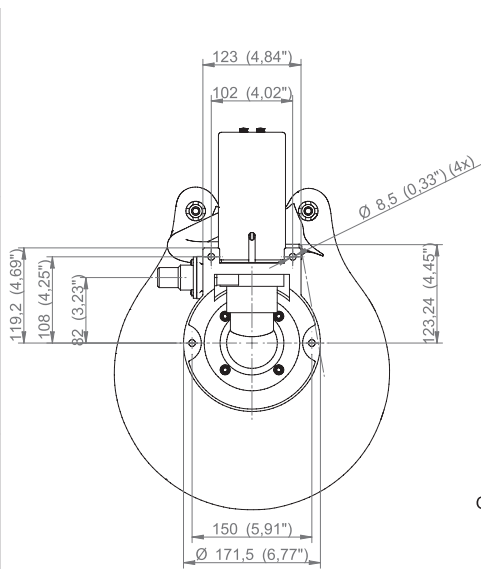


SECTION B-B



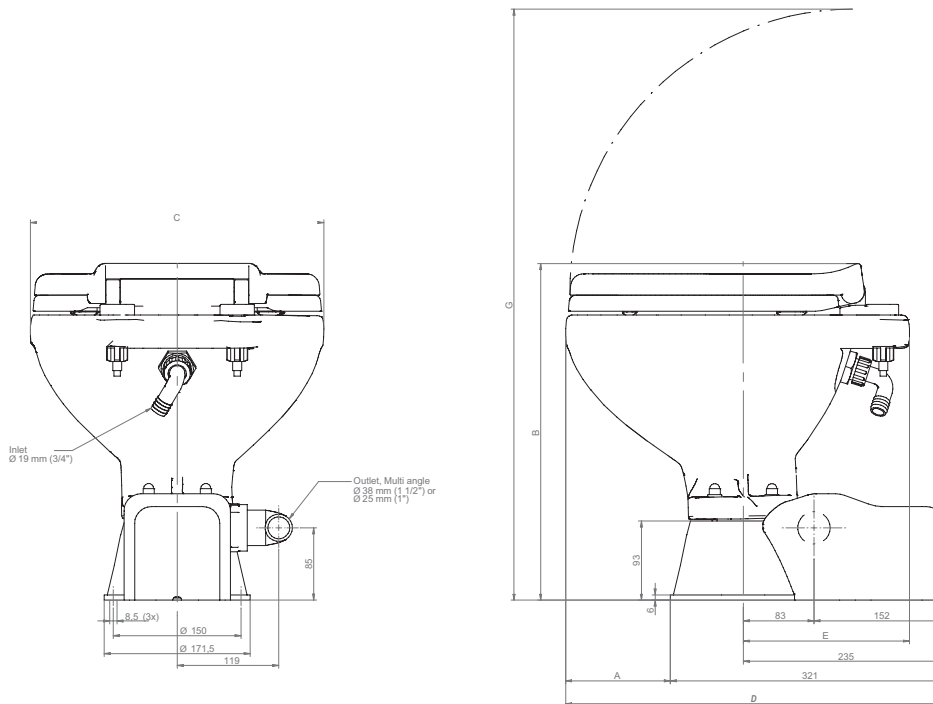
**AquaT™ STANDARD ELECTRIC TOILET**

Part No.	Description	Net Weight		A	B	C	D	E	mm/ inch
		kg	lbs						
80-47626-01	AquaT™ Standard Electric Super Compact, 12V	9,2	20	345	645	340	215	215	mm
80-47626-02	AquaT™ Standard Electric Super Compact, 24V			13,6	25,4	13,4	8,5	8,5	inch
80-47435-01	AquaT™ Standard Electric Compact, 12V	9,5	21	345	690	390	215	215	mm
80-47435-02	AquaT™ Standard Electric Compact, 24V			13,6	27,2	15,4	8,5	8,5	inch
80-47436-01	AquaT™ Standard Electric Comfort, 12V	11	24	370	765	375	235	265	mm
80-47436-02	AquaT™ Standard Electric Comfort, 24V			14,6	30,1	14,8	9,3	10,4	inch



**AquaT™ SILENT ELECTRIC**

Part No.	Description	Net Weight		A	B	C	D	E	G	mm/ inch
80-47231-01	AquaT™ Silent Electric Compact, 12V	9,2	kg	130	400	340	450	205	695	mm
80-47231-02	AquaT™ Silent Electric Compact, 24V	20	lbs	5,1	15,7	13,4	17,7	8,1	27,4	inch
80-47232-01	AquaT™ Silent Electric Comfort, 12V	10,8	kg	145	400	370	480	250	780	mm
80-47232-02	AquaT™ Silent Electric Comfort, 24V	24	lbs	5,7	15,7	14,6	18,9	9,8	30,7	inch



ACCESSORIES

**CONVERSION KIT**

Order No.	Description
81-47240-01	Conversion kit 12V
81-47240-02	Conversion kit 24V



Silent Electric conversion kit/spare kit for compact or comfort sized bowls. For separate external flush system with flush pump or by existing centralized fresh water system using solenoid. Controls the rinse and discharge with two separate buttons on the control panel. Includes discharge pump, base, connectors and the "two switch" control panel.



**SOLENOID**

Order No.	Description
81-47301-01	Solenoid valve 12V
81-47301-02	Solenoid valve 24V

Electric valve to be used with centralized fresh water system.

**VIKING POWER 32 VACUUM**

Order No.	Description
10-13373-03	Viking Power 32, 12V
10-13373-04	Viking Power 32, 24V

Electrical 12V/24V diaphragm pump to manage all types of wastewater. Can pump un-macerated sewage to a holding tank or transfer it onwards to a septic tank. Equipped with double check valves to secure operation at all times. To be used also with vacuum toilet systems.



**FLUSH 3.5 PUMP**

Order No.	Description
10-13399-05	Flush 3.5 Pump, 12V
10-13399-06	Flush 3.5 Pump, 24V

An efficient and robust flush pump to be used with on-off switch for any marine 12V/24V toilet with external flushing pump system. Fits with all Silent Electric models. Delivers 13l/min.

**VIKING UNIVERSAL**

Order No.	Description
10-13530-01	Viking Universal with connection diameter 38 mm (1 1/2")
09-36250	Viking Universal Through Deck Kit

Heavy duty manual pump to fill and discharge waste water holding tanks. Compact to minimize required space, can be installed bulkhead or through. Equipped with large 38 mm connectors to manage all kinds of waste water.



SPARE PARTS

Order No.	Description
81-47239-01	Manual pump assembly
81-47241-01	Wooden Seat Compact
81-47241-02	Wooden Seat Comfort
81-47242-01	Gasket kit, all gaskets in the manual toilet
81-47243-01	Plastic base, plastic base and tap with the ring for manual toilet
81-47244-01	Plastic handle kit, only the plastic handle for manual toilet
81-47245-01	Bowl Compact
81-47245-02	Bowl Comfort
81-47245-03	Bowl Low
81-47245-04	Bowl Low. Bev
81-47245-05	Bowl Std.
81-47245-06	Bowl Std. Bev

Order No.	Description
81-47246-01	Intake elbow, inlet pipe gasket and nut for manual and silent electric versions
81-47246-02	Outlet elbow, outlet pipe gasket and plastic nut
81-47247-01	Base group (silent electric)
81-47248-01	12V Motor group (silent electric)
81-47248-02	24V Motor group (silent electric)
81-47267-01	Hinge set
81-47268-01	Base gasket kit
81-47269-01	Flush handle kit
81-47273-01	Outlet elbow (silent)
81-47274-01	Bowl gasket