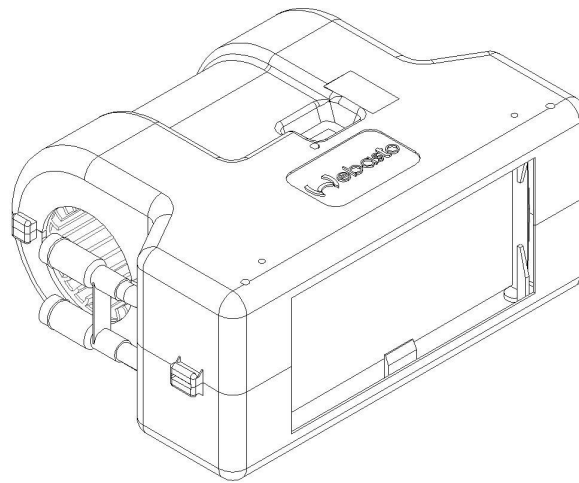


**SPECIFICATION**  
MADERA 4 Heat exchanger



Page 1 of 3

25-02-04



**MADERA 4**

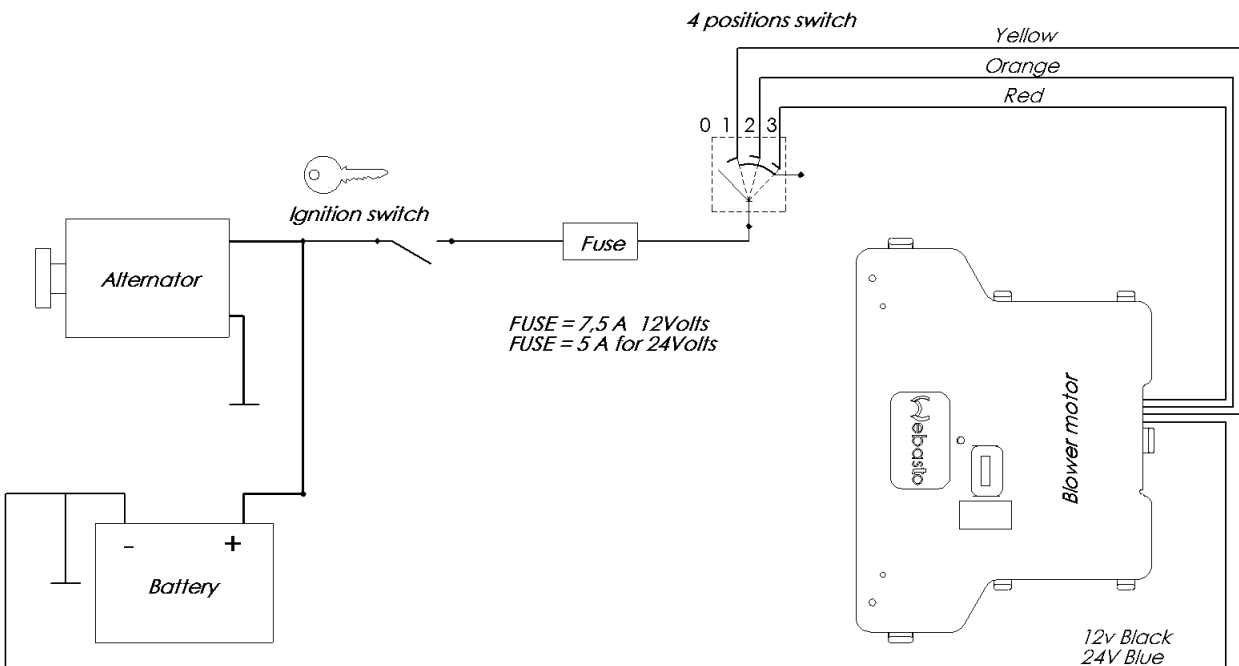
## 1 Electrical connection

<i>Color code for 12 V blower motor connection</i>		
<i>Wire color</i>	<i>Function</i>	<i>wire section</i>
<b>Black</b>	- ground	1,5 mm <sup>2</sup> minimum
<b>Red</b>	+ High Speed	1,5 mm <sup>2</sup> minimum
<b>Orange</b>	+ Middle Speed	1,5 mm <sup>2</sup> minimum
<b>Yellow</b>	+ Low Speed	1,5 mm <sup>2</sup> minimum

<i>Color code for 24V blower motor connection</i>		
<i>Wire color</i>	<i>Function</i>	<i>wire section</i>
<b>Blue</b>	- ground	1,5 mm <sup>2</sup> minimum
<b>Red</b>	+ High Speed	1,5 mm <sup>2</sup> minimum
<b>Orange</b>	+ Middle Speed	1,5 mm <sup>2</sup> minimum
<b>Yellow</b>	+ Low Speed	1,5 mm <sup>2</sup> minimum

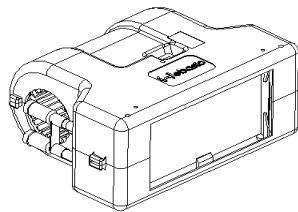
The electric motor must be protected by fuse type DIN 72581/3C or equivalent.  
 7,5 Amps in 12 Volts  
 5 Amps in 24Volts



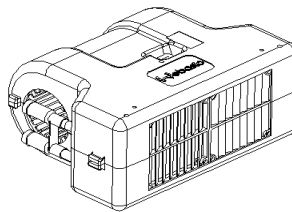
**SPECIFICATION**  
**MADERA 4 Heat exchanger**



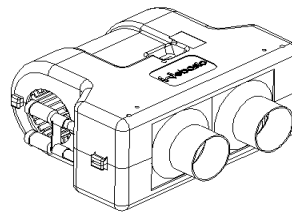
Outline dimensions



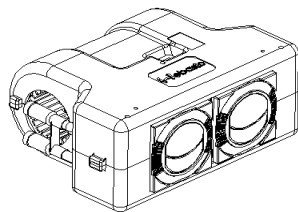
MADERA 4 B



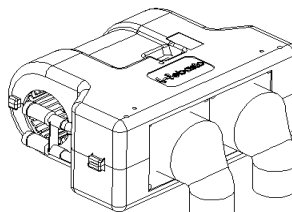
MADERA 4 C



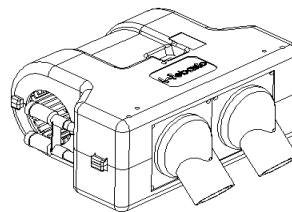
MADERA 4 D



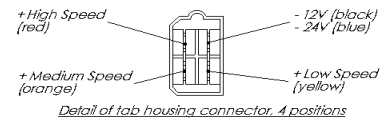
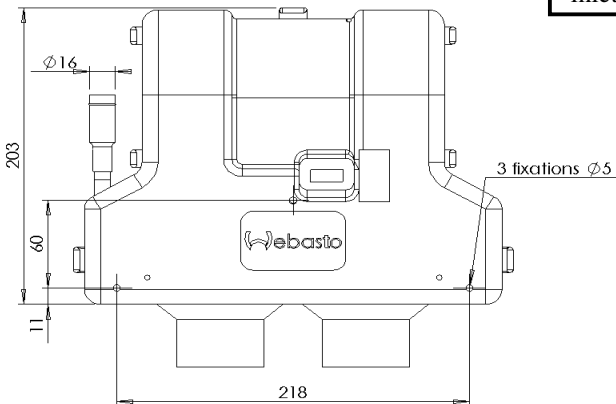
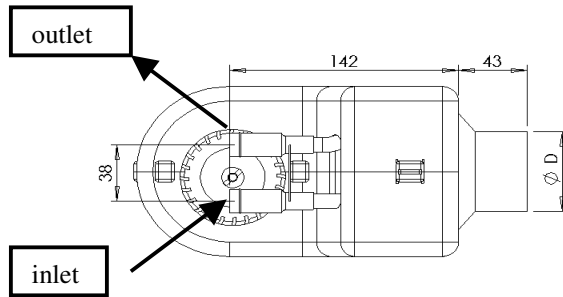
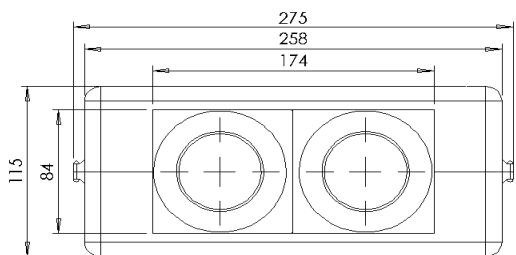
MADERA 4 F



MADERA 4 H



MADERA 4 I



**For heating and defrosting.**  
**3 speeds motor.**  
**Type approval EMC and thermal protection.**  
**Heat ABS body.**  
**Low water pressure drop.**  
**Multiple versions of air outlet available:**  
 - grids  
 - air outlet Ø 40,45,50 or 55mm  
 - directional air vent

**MADERA 4**

<b>12 Volts</b>	<b>711 74550</b>
<b>24 Volts</b>	<b>711 74552</b>

Current consumption	Weight	Airflow (D Outlet Ø55)	Heat output *	Pressure test
<b>70 W</b>	<b>1.8 kg</b>	<b>200 m³/h</b>	<b>4,6 KW</b>	<b>30 bars</b>

\* Q100 = Air flow: 200 m³/h, Inlet air temperature: -10°C, Water flow: 1 m³/h, Pure water (without Ethyl Glycol), Inlet water temperature: 90°C.