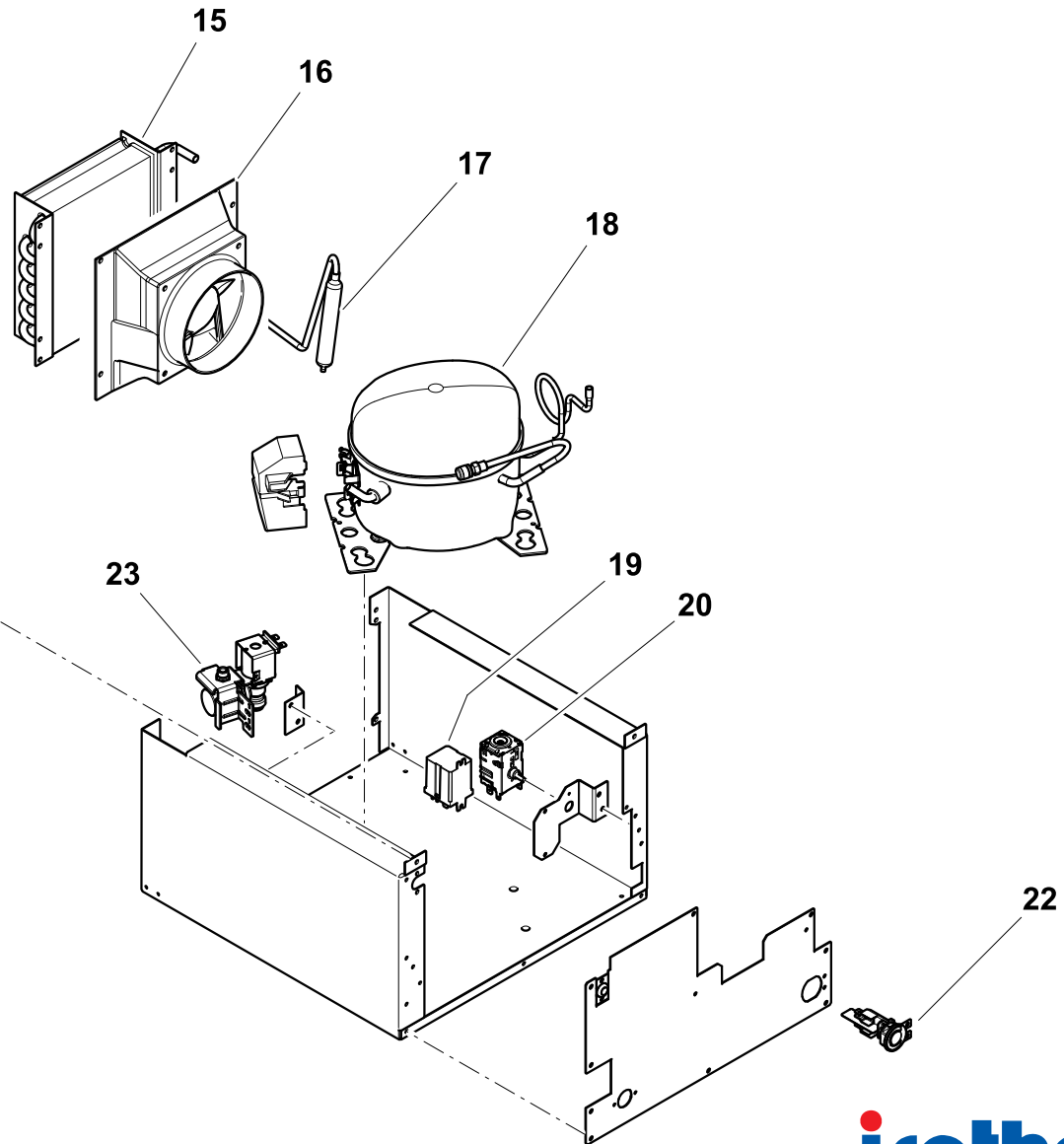
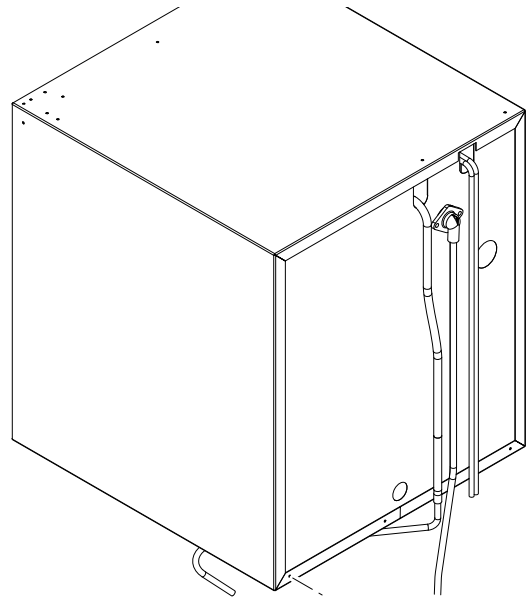


**Icemaker IB Inox - CABINET**



**Icemaker IB Inox - COOLING UNIT**

| NUMERO<br>NUMBER | CODICE ARTICOLO<br>ITEM CODE | DESCRIZIONE ARTICOLO<br>ITEM DESCRIPTION   |
|------------------|------------------------------|--|
| 1                | SBE00186AA                   | CARENATURA POSTERIORE ICEMAKER WHITE<br>BACK FAIRING ICEMAKER WHITE  |
| 3                | SGB00125AA                   | FLANGIA FM 3-LATI INOX PER ICEMAKER WHITE INOX<br>3-SIDE FLUSH MOUNTING FRAME INOX FOR ICEMAKER WHITE INOX   |
| 4                | SGC00350AA                   | CASSETTO PLASTICA PER GHIACCIO ICEMAKER WHITE<br>ICECUBE PLASTIC DRAWER FOR ICEMAKER WHITE   |
| 5                | SBE00068AA                   | CERNIERA INOX TUTTI CR VER. INOX + CR40 CUBIC + (CR49 CR65 CR85 CR130 C.)<br>HINGE INOX FOR ALL VER. INOX TYPE + CR40 CUBIC +(CR49 CR65 CR85 CR130 C.) |
| 6                | SGD00012AA                   | MANIGLIA INOX "CRUISE INOX"<br>INOX HANDLE/LOCKER FOR "CRUISE INOX"  |
| 7                | SGC00351AA                   | PORTA INOX ICEMAKER WHITE<br>INOX DOOR FOR ICEMAKER WHITE  |
| 8                | SGB00112AA                   | SOSTEGNO INOX CONTROPORTA CRUISE 49/65/85/130 C. ICEM WHITE<br>DOOR SUPPORT CRUISE 49/65/85/130 C. ICEM WHITE  |
| 11               | SGC00353AA                   | GRIGLIA ANTERIORE VENTILAZIONE INOX PER ICEMAKER WHITE INOX<br>FRONT INOX VENTILATION GRID FOR ICEMAKER WHITE INOX                                     |
| 13               | SEC00026AA                   | INTERRUTTORE ACCESSIONE ICEMAKER WHITE<br>POWER SWITCH FOR ICEMAKER WHITE  |
| 14               | SBD00113AA                   | KIT PRODUTTORE GHIACCIO 230V PER ICEMAKER WHITE<br>ICEMAKER 230V KIT FOR WHITE ICEMAKER  |
| 14               | SBD00127MA                   | KIT PRODUTTORE GHIACCIO 115V PER ICEMAKER WHITE<br>ICEMAKER 115V KIT FOR WHITE ICEMAKER  |
| 15               | SBD00125AA                   | CONDENSATORE LAMELLARE ICEMAKER WHITE<br>LAMELLAR CONDENSER FOR ICEMAKER WHITE   |
| 16               | SBG00034LA                   | VENTOLA 230V 120x120x25 CON CONVOGLIATORE ARIA PER ICEMAKER WHITE<br>FAN 230V 120x120x25 WITH PLASTIC AIR GUDIE FOR ICEMAKER WHITE                     |
| 16               | SBG00035MA                   | VENTOLA 115V 120x120x25 CON CONVOGLIATORE ARIA PER ICEMAKER WHITE<br>FAN 115V 120x120x25 WITH PLASTIC AIR GUDIE FOR ICEMAKER WHITE                     |
| 17               | SBD00123AA                   | FILTRO 10Gr PER ICEMAKER WHITE TUBO 6+2mm<br>FILTER 10Gr FOR ICEMAKER WHITE 6+2  |
| 18               | SBA00045LA                   | COMPRESSORE DANFOSS TL102G PER ICEMAKER WHITE 230V<br>DANFOSS COMPRESSOR TL102G FOR ICEMAKER WHITE 230V  |
| 18               | SBA00045MA                   | COMPRESSORE DANFOSS TL102G PER ICEMAKER WHITE 115V<br>DANFOSS COMPRESSOR TL102G FOR ICEMAKER WHITE 115V  |
| 19               | SED00026LA                   | RELAY DI POTENZA PER ICEMAKER WHITE 230V<br>POWER RELAY FOR ICEMAKER WHITE 230V  |
| 19               | SED00026MA                   | RELAY DI POTENZA PER ICEMAKER WHITE 115V<br>POWER RELAY FOR ICEMAKER WHITE 115V  |
| 20               | SEA00113AA                   | TERMOSTATO CELLA ICEMAKER WHITE<br>THERMOSTAT FOR ICEMAKER WHITE   |
| 22               | SEB00136AA                   | CONNETTORE CAVO ALIMENTAZIONE CON BLOCCACAVO PER ICEMAKER WHITE<br>POWER CABLE CONNECTOR FOR ICEMAKER WHITE  |
| 23               | SFD00032LA                   | ELETTROVALVOLA ACQUA 230V ICEMAKER WHITE<br>SOLENOIDE VALVE WATER 230V FOR ICEMAKER WHITE  |
| 23               | SFD00032MA                   | ELETTROVALVOLA ACQUA 115V ICEMAKER WHITE<br>SOLENOIDE VALVE WATER 115V FOR ICEMAKER WHITE  |