

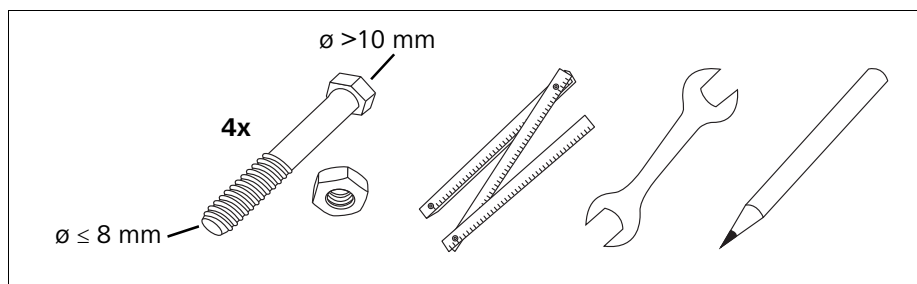
**Marine Kompakt- und
Chiller-Klimaanlagen
Marine self-contained and
chilled water
airconditioning systems**

**Einbauanweisung
Installation Instructions**

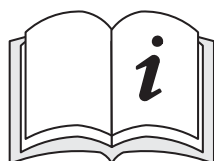
Vibration Absorber Kit
BlueCool S - Series
BlueCool C - Series (Mono)



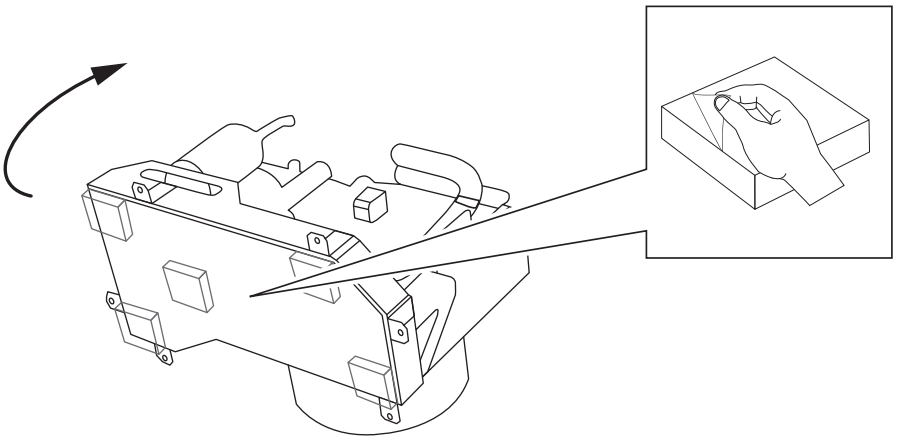
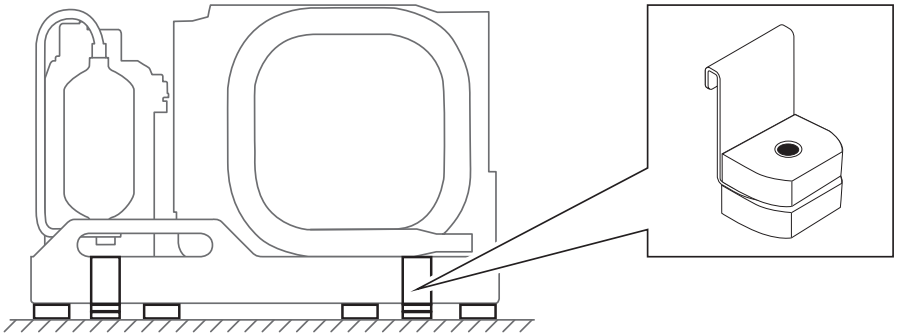
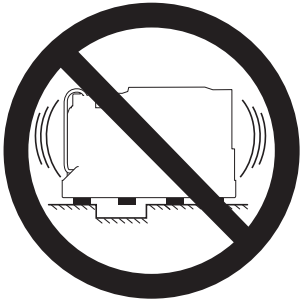
BlueCool Vibration Absorber



WBCL120075A <ul style="list-style-type: none"> • BlueCool S6 • BlueCool S8 • BlueCool S10 	4x	-	4x
WBCL120076A <ul style="list-style-type: none"> • BlueCool S13 • BlueCool S16 • BlueCool S20 • BlueCool S27 	4x	-	8x
WBCL120078A <ul style="list-style-type: none"> • BlueCool C16 M • BlueCool C20 M • BlueCool C27 M 	-	4x	9x

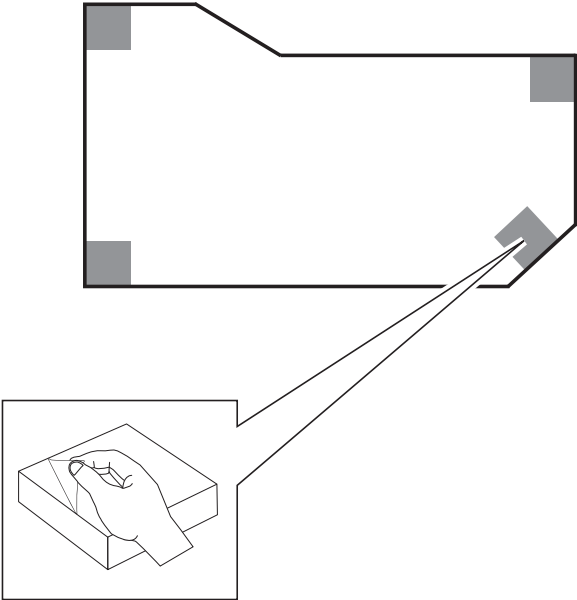
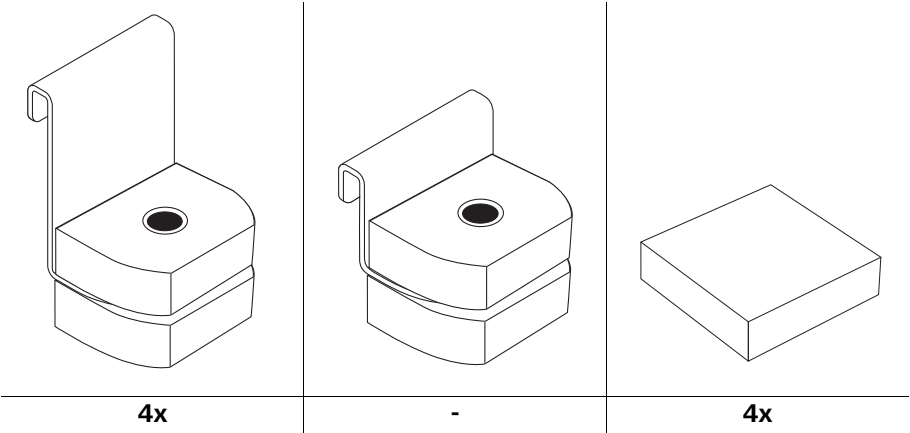


BlueCool Vibration Absorber

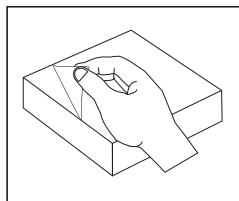
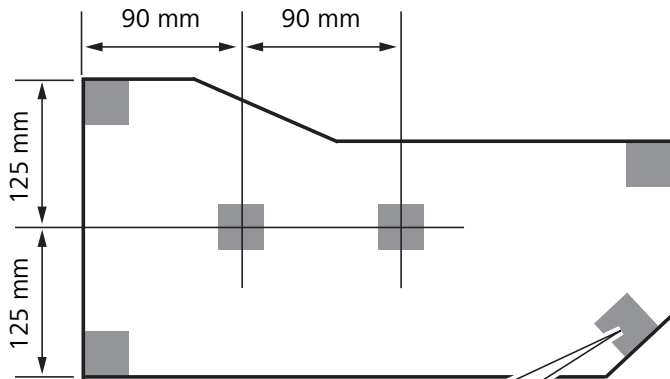
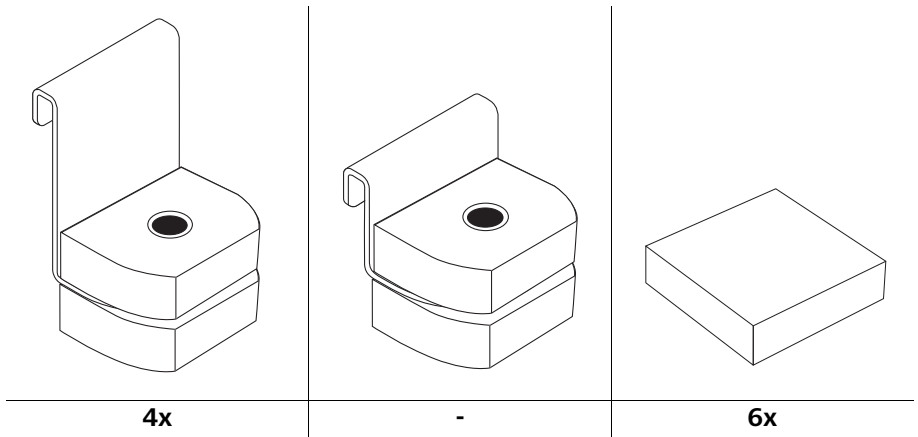


BlueCool Vibration Absorber

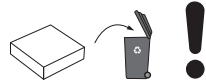
BlueCool S6 / S8 / S10



BlueCool S13

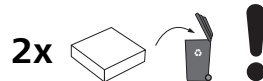
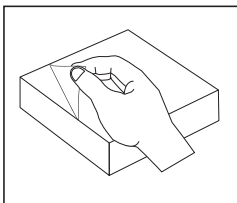
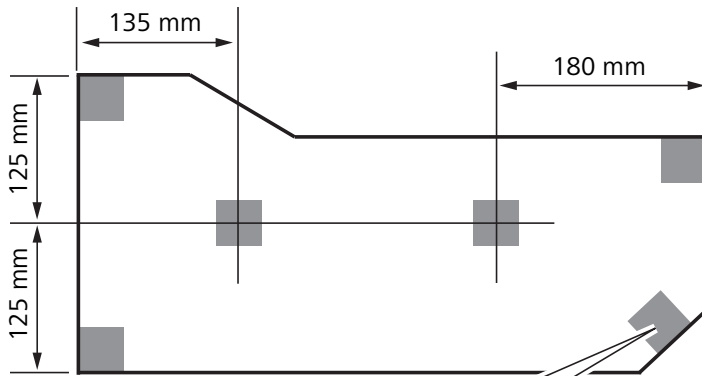
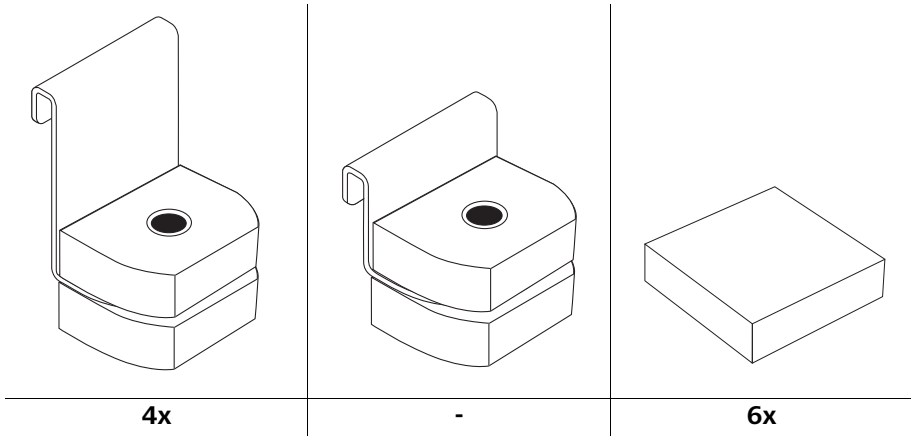


2x

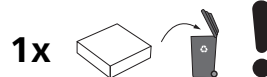
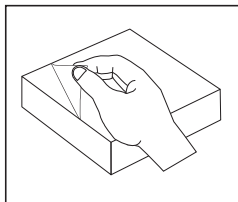
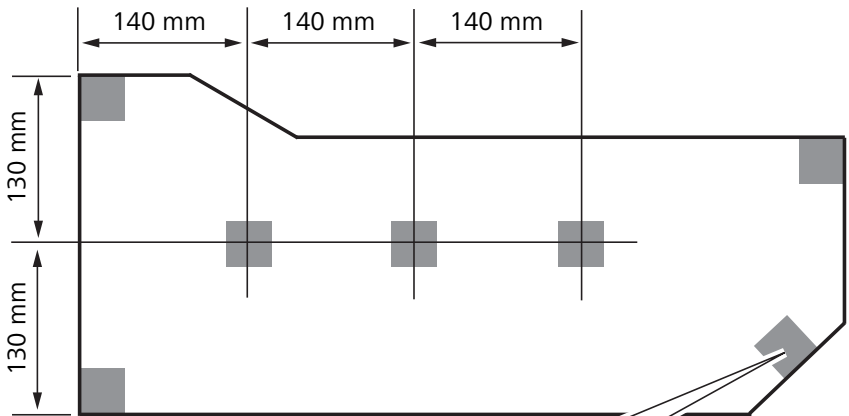
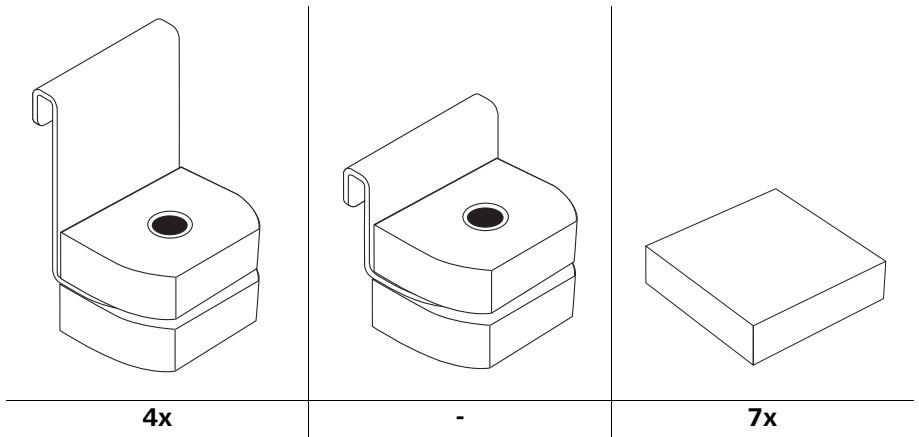


BlueCool Vibration Absorber

BlueCool S16

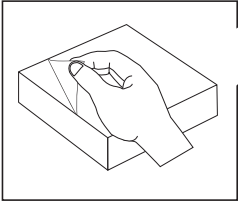
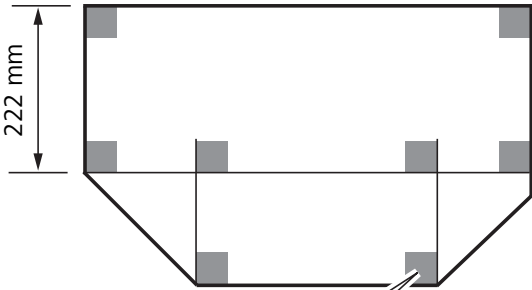
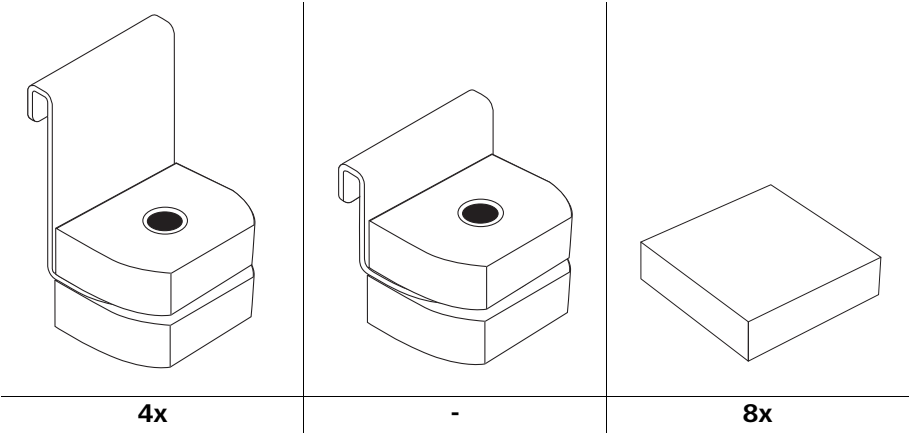


BlueCool S20

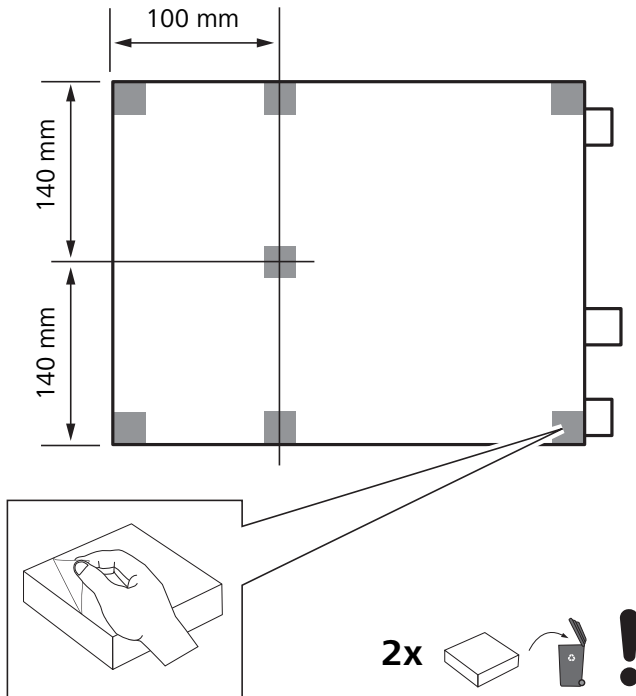
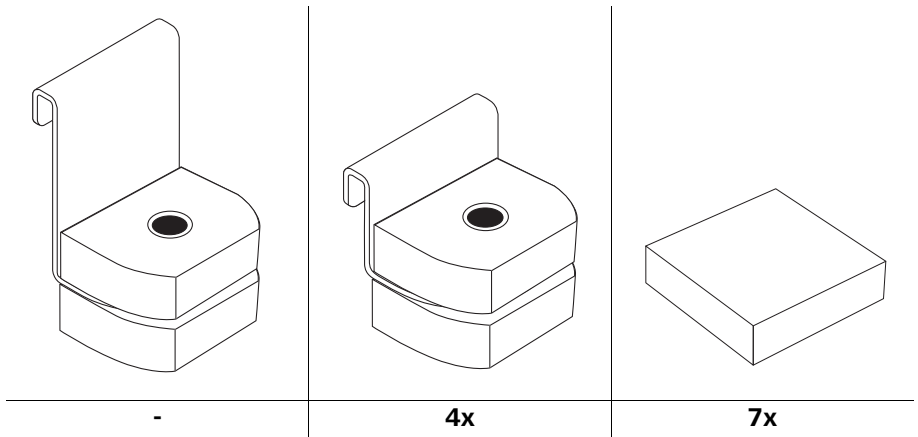


BlueCool Vibration Absorber

BlueCool S27

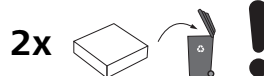
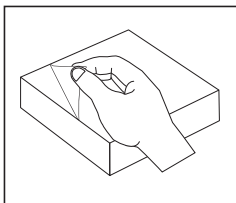
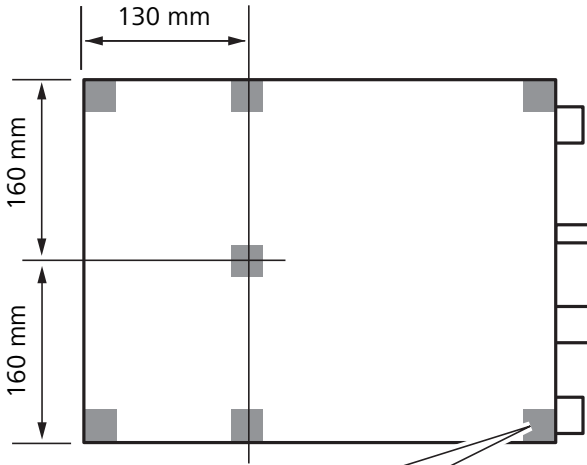
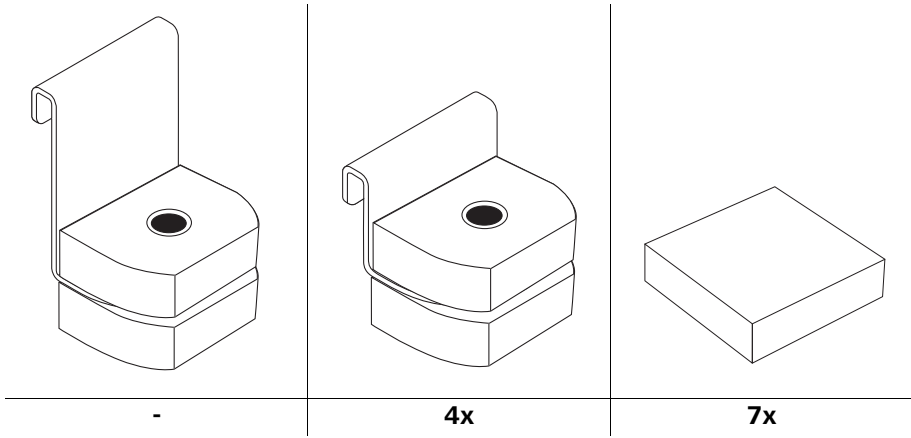


BlueCool C16 M

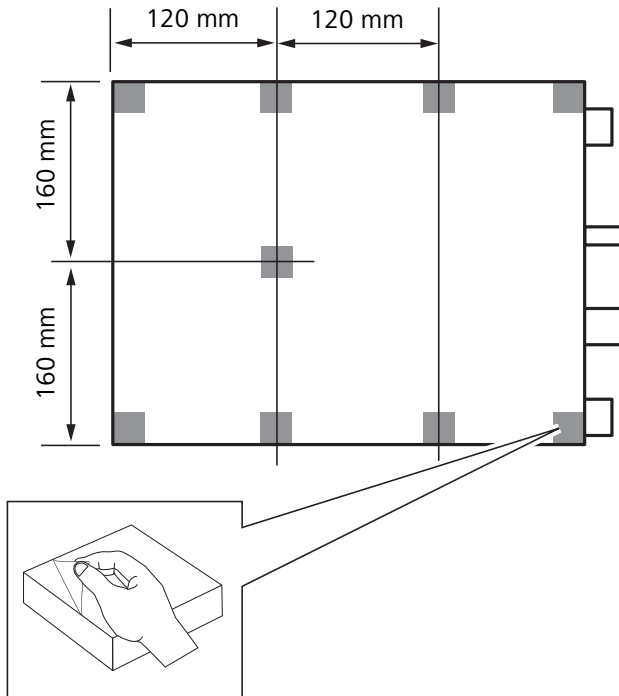
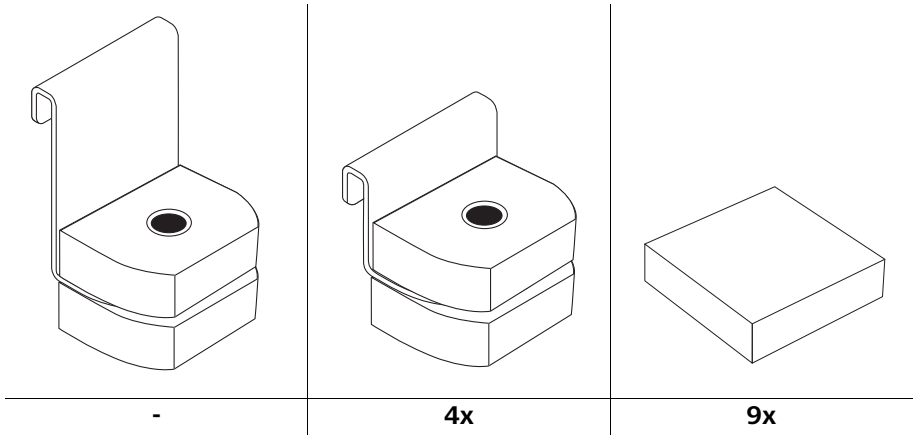


BlueCool Vibration Absorber

BlueCool C20 M



BlueCool C27 M



Die Telefonnummer des jeweiligen Landes entnehmen Sie bitte dem Webasto Servicestellenfaltblatt oder der Webseite Ihrer jeweiligen Webasto Landesvertretung.

The telephone number of each country can be found in the Webasto service center leaflet or the website of the respective Webasto representative of your country.

Webasto Thermo & Comfort SE
Postfach 1410
82199 Gilching
Germany

Company address:
Friedrichshafener Str. 9
82205 Gilching
Germany

Technical Extranet: <http://dealers.webasto.com>

Only within Germany / Nur innerhalb von Deutschland

Tel.: 0395 5592 444

E-mail: technikcenter@webasto.com

www.webasto.com