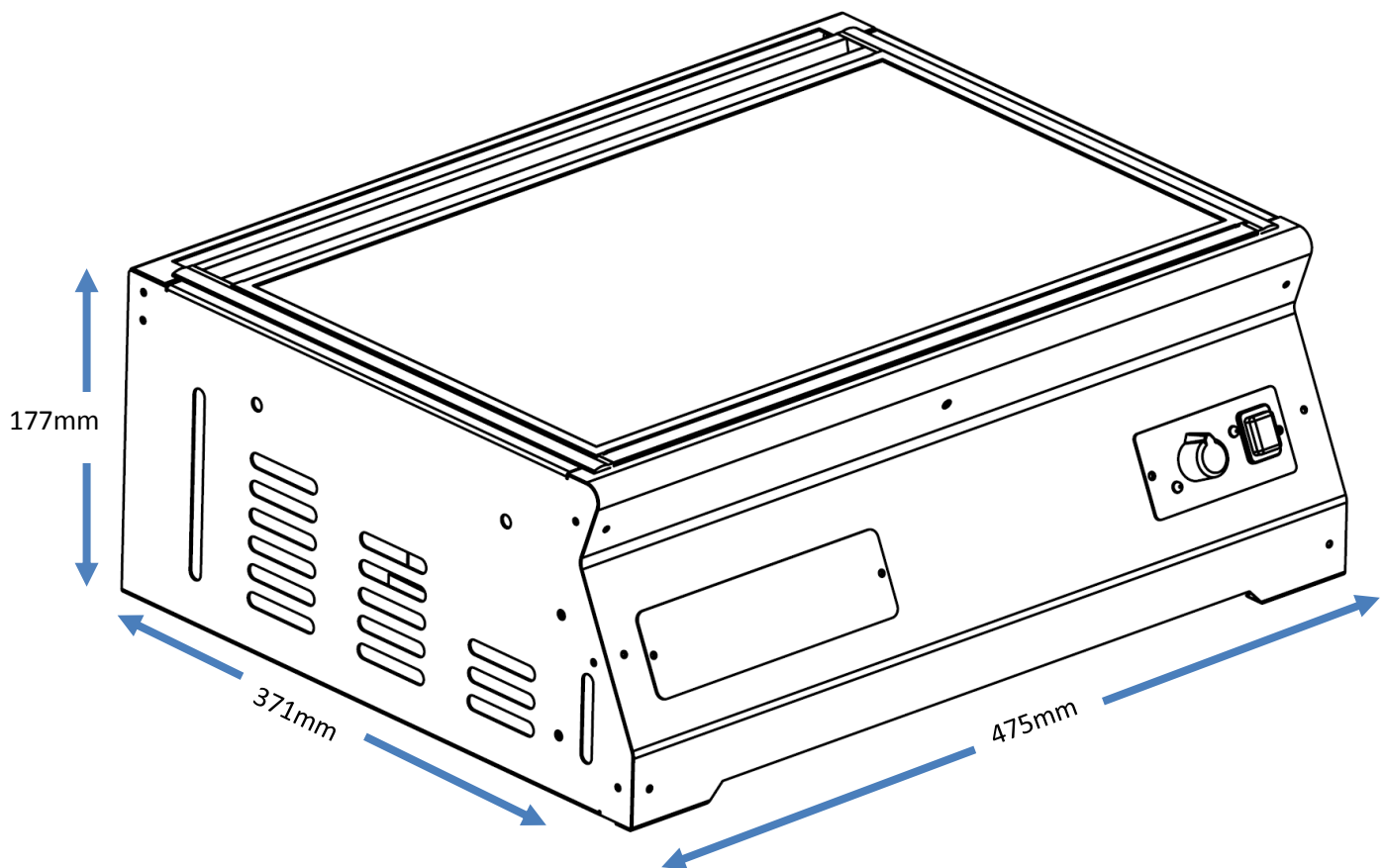


85DP has been updated, this is the newer version of the 85DP, and additional page to the manual to guide you through the installation.



The stove has two options to fasten on the counter top A and B:

**A) Fastening option**

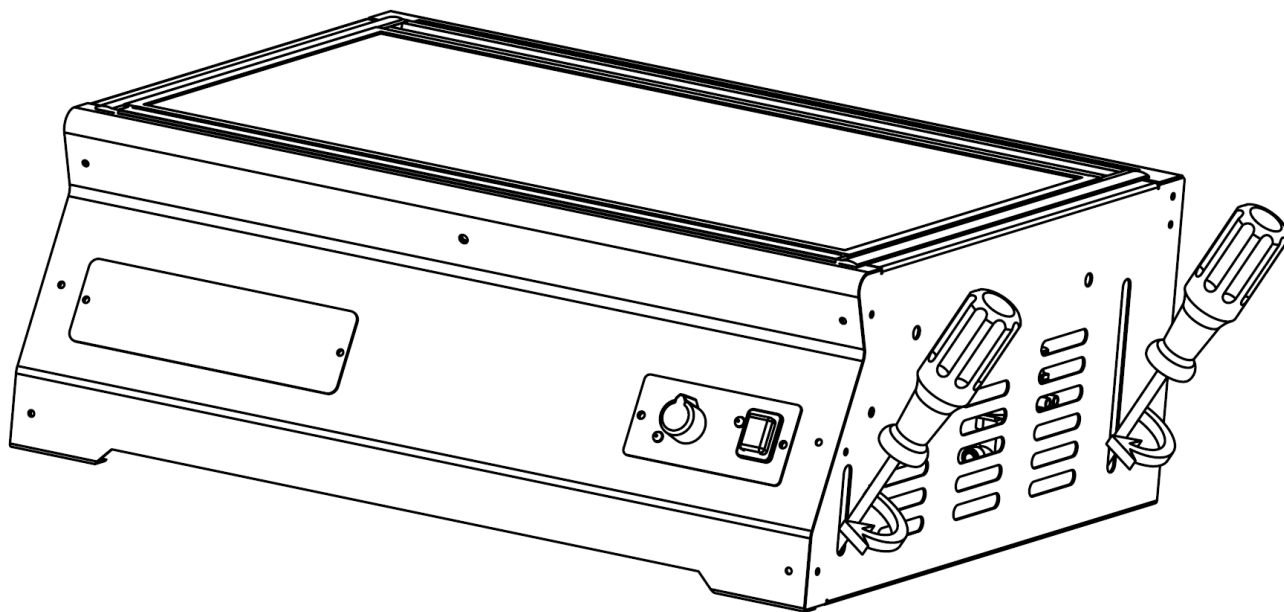
Here is a guide how to fasten the stove to the counter top from the side:

Use the four screws to fasten the 85DP to the counter top.

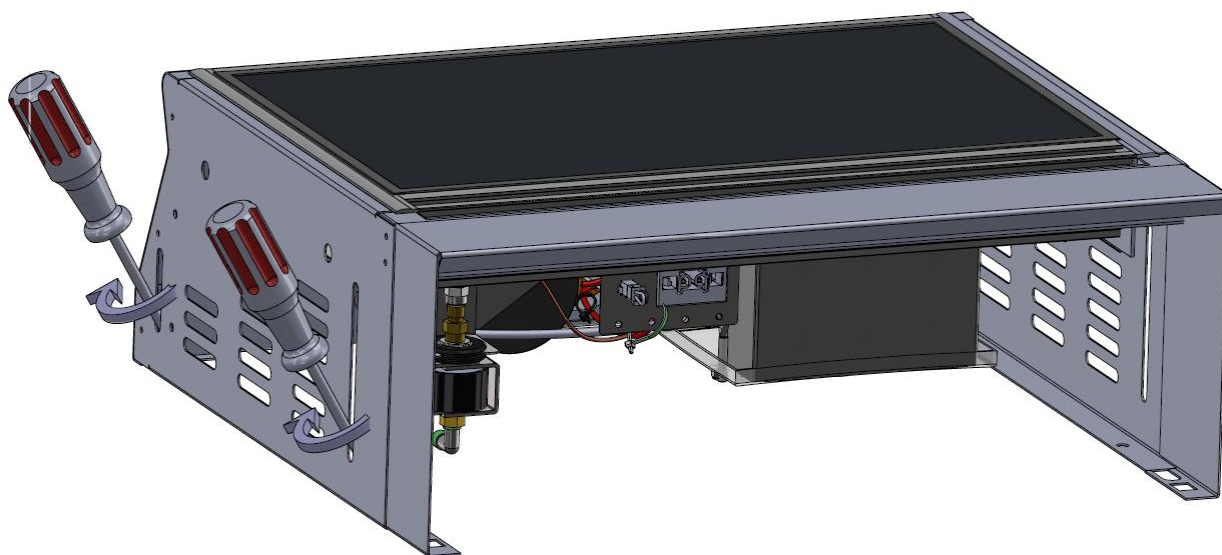
Place the screws here:



Tighten screws



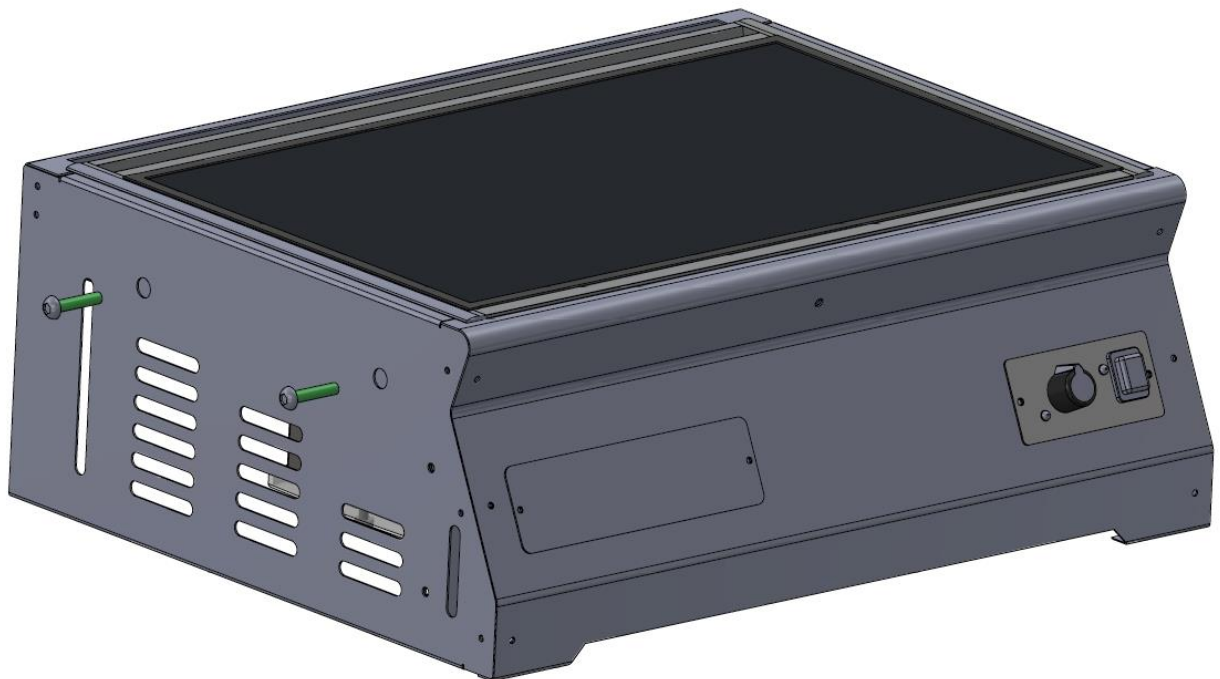
from both sides



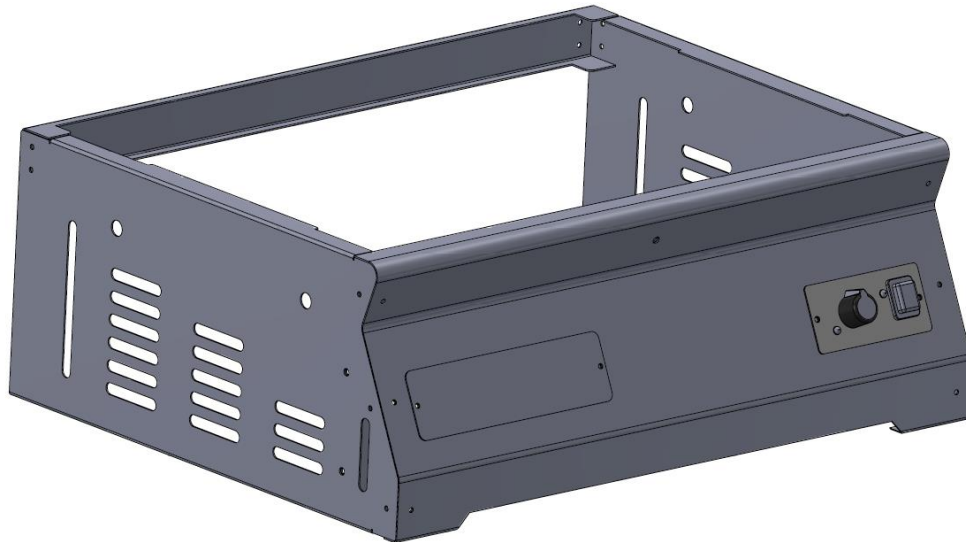
If this A option is not possible to do, use the B fastening option.

**B) Fastening Option**

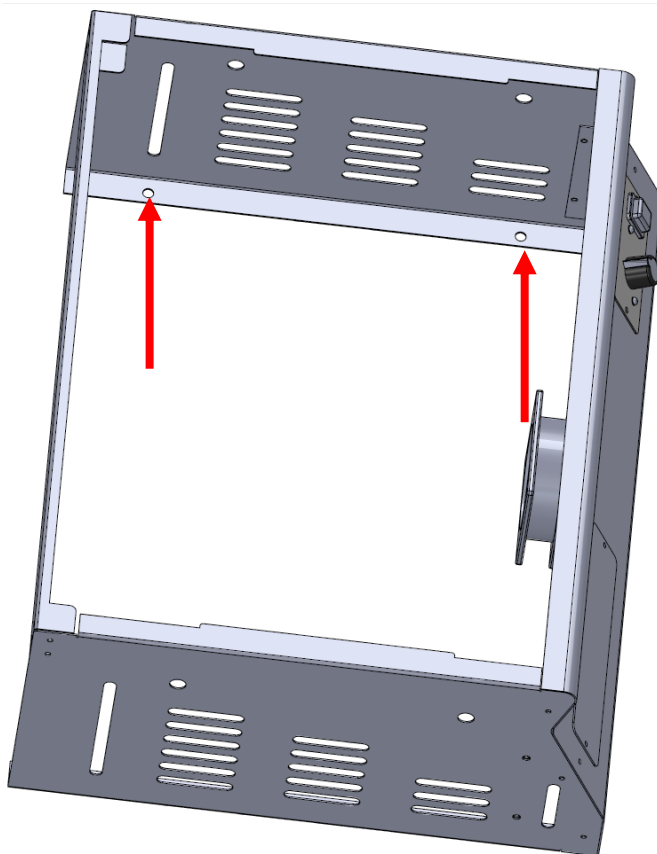
Open the screws from the side of the panel



Take the stove away



Fasten the screws to the counter top from these four holes:



Put the stove back in to its place

And tighten the screws that holds the stove.

