

# Generator Sets

**GHX8**

**GHX14**

**GLX6**

**GLX7**

**GLX14**

# Parts catalogue

Deze onderdelencatalogus bevat waardevolle informatie voor onderhoud en service aan uw generator.

Wij adviseren U, bij vervanging alleen originele **VETUS** onderdelen toe te passen.

Het typeplaatje bevat informatie over de typeaanduiding, het serienummer en de versie.

Gebruik deze informatie bij bestelling van onderdelen.

This parts'catalogue contains valuable information for maintenance and service over your generator.

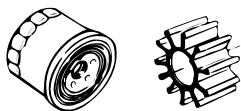
For replacement, we recommend that you use only genuine **VETUS** parts.

The identification tag contains information about model, serial number and series.

Use this information when ordering parts.

---

1



**Reserve kits**  
**Spare parts kit**

---

2



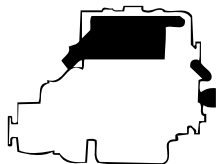
**Motor**  
**Engine**

Raadpleeg de bij de motor  
behorende onderdelencatalogus. \*)

Consult the parts catalogue  
for the engine concerned. \*)

---

3



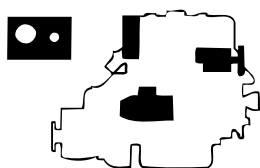
**Koeling**  
**Cooling**

Raadpleeg de bij de motor  
behorende onderdelencatalogus. \*)

Consult the parts catalogue  
for the engine concerned. \*)

---

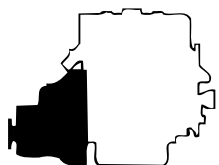
4



**Electra, bediening en instrumenten**  
**Electrics, controls and instruments**

---

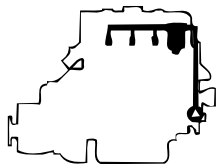
5



**Aandrijving**  
**Transmission**

---

6



**Brandstofsysteem**  
**Fuel system**

Raadpleeg de bij de motor  
behorende onderdelencatalogus. \*)

Consult the parts catalogue  
for the engine concerned. \*)

---

7

**Generator**  
**Generator**

---

8

---

9

**Behuizing en isolatie**  
**Canopy and insulation**

---

\*) Motoronderdelencatalogi :

GHX8: M2.18

GLX6: M3.29

\*) Engine parts catalogues :

GHX14: M3.29

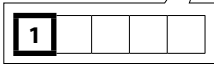
GLX7: M3.29

GLX14: M4.45

**EXAMPLE**

ML15 MA17		Service kit		
oms.	qty	part	benaming	description
1	1	STM050	Brandstoffilter	Fuel filter
2	1	STM0076	Injectiefil + pakking zeesiederpomp	Injector + gasket seewater pump
3	1	STM0031	Oliefilter	Oil filter
4	1	STM0965	Vervanger 50 A dynamo	Vibrat 50 A alternator
1	1	STM0483	Vervanger 110 A dynamo AUX 104895 M (SPZ)	Vibrat 110 A alternator
5	1	STM0450	Service kit cpl. 20 A dynamo	Service kit cpl. 20 A dynamo
1	1	STM0450	Service kit cpl. 110 A dynamo	Service kit cpl. 110 A dynamo

1-1



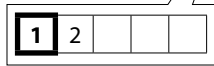
De volledige stuklijst staat op deze pagina.

The full parts list is shown on this page.

**EXAMPLE**

ML15 MA17		Motorblok		Engine block	
oms.	qty	part	benaming	description	
1	1	STM7742	Motorblok	Engine block	
2	1	STM7996	Motorblok	Engine block	
3	3	STM7743	Kap	Cap	
4	3	STM7744	Kap	Cap	
5	10	STM7745	Bus	Shaft	
6	1	STM7746	Bus	Shaft	
7	1	STM207	Oliecraan	Oil can	
8	1	STM7747	Kap	Cap	
9	3	STM7748	Kap	Cap	
10	1	STM7749	Plug	Plug	
11	4	STM7750	Bus	Shaft	
12	2	STM2010	Bus	Shaft	

2-1



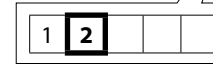
De stuklijst is verdeeld over 2 pagina's. Op deze pagina staat het **eerste** deel.

The parts list is spread over 2 pages. On this page the **first** part is shown.

**EXAMPLE**

ML15 MA17		Motorblok		Engine block	
oms.	qty	part	benaming	description	
13	1	STM2511	Bus	Shaft	
14	1	STM7756	Plug	Plug	
15	1	STM7753	Pin	Pin	
16	2	STM6482	Pin	Pin	
17	1	STM7752	As	Shaft	
18	1	STM7755	Kogel	Ball	
19	1	STM7754	As	Shaft	
20	4	STM7755	Afsluiting	Seal	
21	1	STM7758	As	Shaft	
22	2	STM7757	Pin	Pin	
23	1	STM7758	Plug	Plug	
24	1	STM6257	Kap	Cap	

2-2

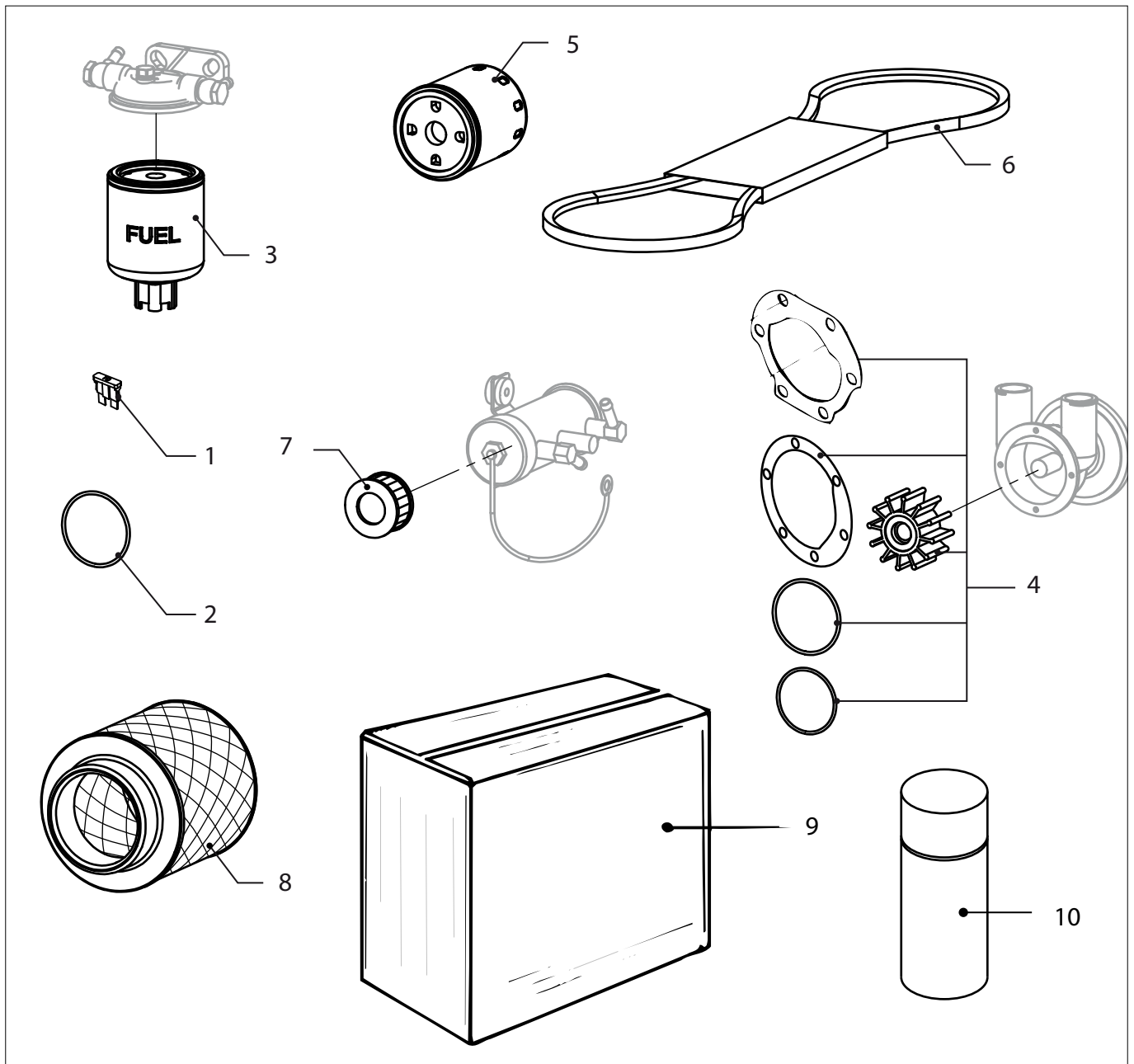


De stuklijst is verdeeld over 2 pagina's. Op deze pagina staat het **tweede** deel.

The parts list is spread over 2 pages. On this page the **second** part is shown.

# Inhoud Contents

pag. page	type	omschrijving	description
1-1	<b>GHX8SIC GHX14TIC GHX14SIC GLX6SIC GLX7SIC</b>	Serviceonderdelen	Service parts
1-2	<b>GLX14SIC GLX14TIC</b>	Serviceonderdelen	Service parts
4-1	<b>GHX8SIC</b>	Bedrading en besturing	Wiring loom and controls
4-2	<b>GHX14SIC</b>	Bedrading en besturing	Wiring loom and controls
4-3	<b>GLX14SIC</b>	Bedrading en besturing	Wiring loom and controls
4-4	<b>GLX6SIC GLX7SIC</b>	Bedrading en besturing	Wiring loom and controls
4-5	<b>GHX14TIC</b>	Bedrading en besturing	Wiring loom and controls
4-6	<b>GLX14TIC</b>	Bedrading en besturing	Wiring loom and controls
7-1	<b>GHX8SIC</b>	Generator + Motor	Generator + Engine
7-2	<b>GHX14SIC</b>	Generator + Motor	Generator + Engine
7-3	<b>GLX14SIC</b>	Generator + Motor	Generator + Engine
7-4	<b>GLX6SIC GLX7SIC</b>	Generator + Motor	Generator + Engine
7-5	<b>GHX14TIC</b>	Generator + Motor	Generator + Engine
7-6	<b>GLX14TIC</b>	Generator + Motor	Generator + Engine
9-1	<b>GHX8SIC</b>	Behuizing en isolatie	Canopy and insulation
9-2	<b>GHX14SIC</b>	Behuizing en isolatie	Canopy and insulation
9-3	<b>GHX14SIC</b>	Behuizing	Canopy
9-4	<b>GHX8SIC</b>	Behuizing	Canopy
9-5	<b>GLX14SIC</b>	Behuizing en isolatie	Canopy and insulation
9-6	<b>GLX14SIC</b>	Behuizing	Canopy
9-7	<b>GLX6SIC GLX7SIC</b>	Behuizing en isolatie	Canopy and insulation
9-8	<b>GLX6SIC GLX7SIC</b>	Behuizing	Canopy
9-9	<b>GHX14TIC</b>	Behuizing en isolatie	Canopy and insulation
9-10	<b>GHX14TIC</b>	Behuizing	Canopy
9-11	<b>GLX14TIC</b>	Behuizing en isolatie	Canopy and insulation
9-12	<b>GLX14TIC</b>	Behuizing	Canopy
		Register	Index



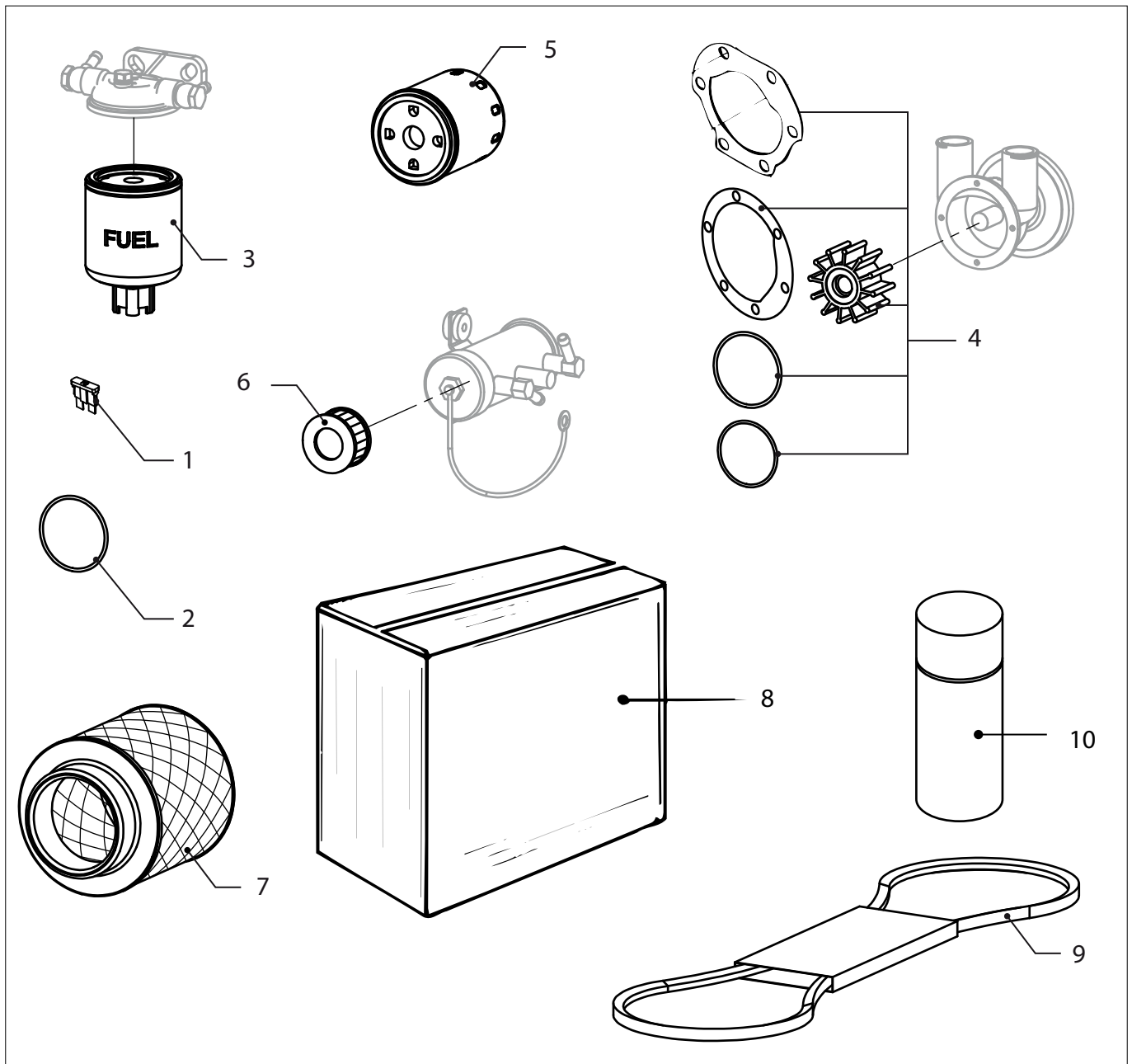
**GHX8SIC**  
**GHX14TIC**  
**GHX14SIC**

**GLX6SIC**  
**GLX7SIC**

**Serviceonderdelen**

**Service parts**

pos.	qty	part	benaming	description
1	5	STM4614	Steek zekering ATO 10A	ATO fuse 10A
2	2	STM6113	O-ring Warmtewisselaar 61x2,5	O-ring Heat exchanger 61x2.5
3	1	STM3690	Brandstoffilter	Fuel filter
4	1	STM8076	Impeller + pakkingen	Impeller + gaskets
5	1	STM0051	Oliefilter	Oil filter
6	1	STM7439	V-snaar l=925 (75A dyn)	V-belt l=925 (75A alt)
7	1	STM4050	Brandstoffilter opvoerpomp	Fuel filter fuel lift pump
8	1	08-01308	Luchtfilterelement	Air cleaner element
9	1	08-01376	Service kit pos 1 t.e.m. 8	Service kit pos 1 up to 8
10	1	STM0052	Spuitbus verf	Spray can paint



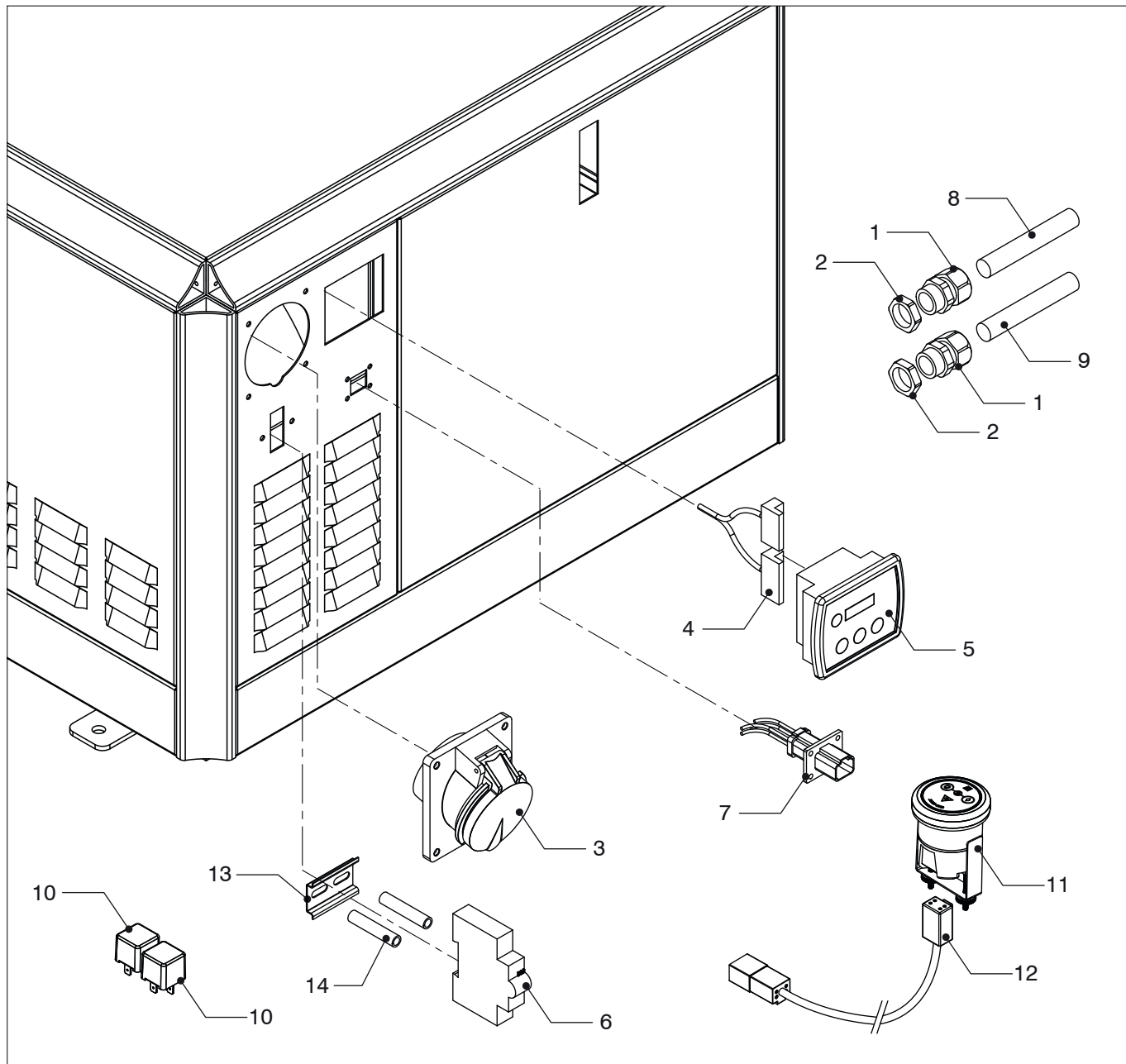
GLX14SIC

GLX14TIC

Serviceonderdelen

Service parts

pos.	qty	part	benaming	description
1	5	STM4614	Steekzekering ATO 10A	ATO fuse 10A
2	2	STM6113	O-ring Warmtewisselaar 61x2,5	O-ring Heat exchanger 61x2.5
3	1	STM3690	Brandstoffilter	Fuel filter
4	1	STM8076	Impeller + pakkingen	Impeller + gaskets
5		STM0051	Oliefilter	Oil filter
6	1	STM4050	Brandstoffilter opvoerpomp	Fuel filter fuel lift pump
7	1	08-01308	Luchtfiltelement	Air cleaner element
8	1	08-01374	Service kit pos 1 t.e.m. 7	Service kit pos 1 up to 7
9	1	STM9857	V-snaar 75 A dynamo	V-belt 75 A alternator
	1	STM9858	V-snaar 110 A dynamo	V-belt 110 A alternator
10	1	STM0052	Spuitbus verf	Spray can paint



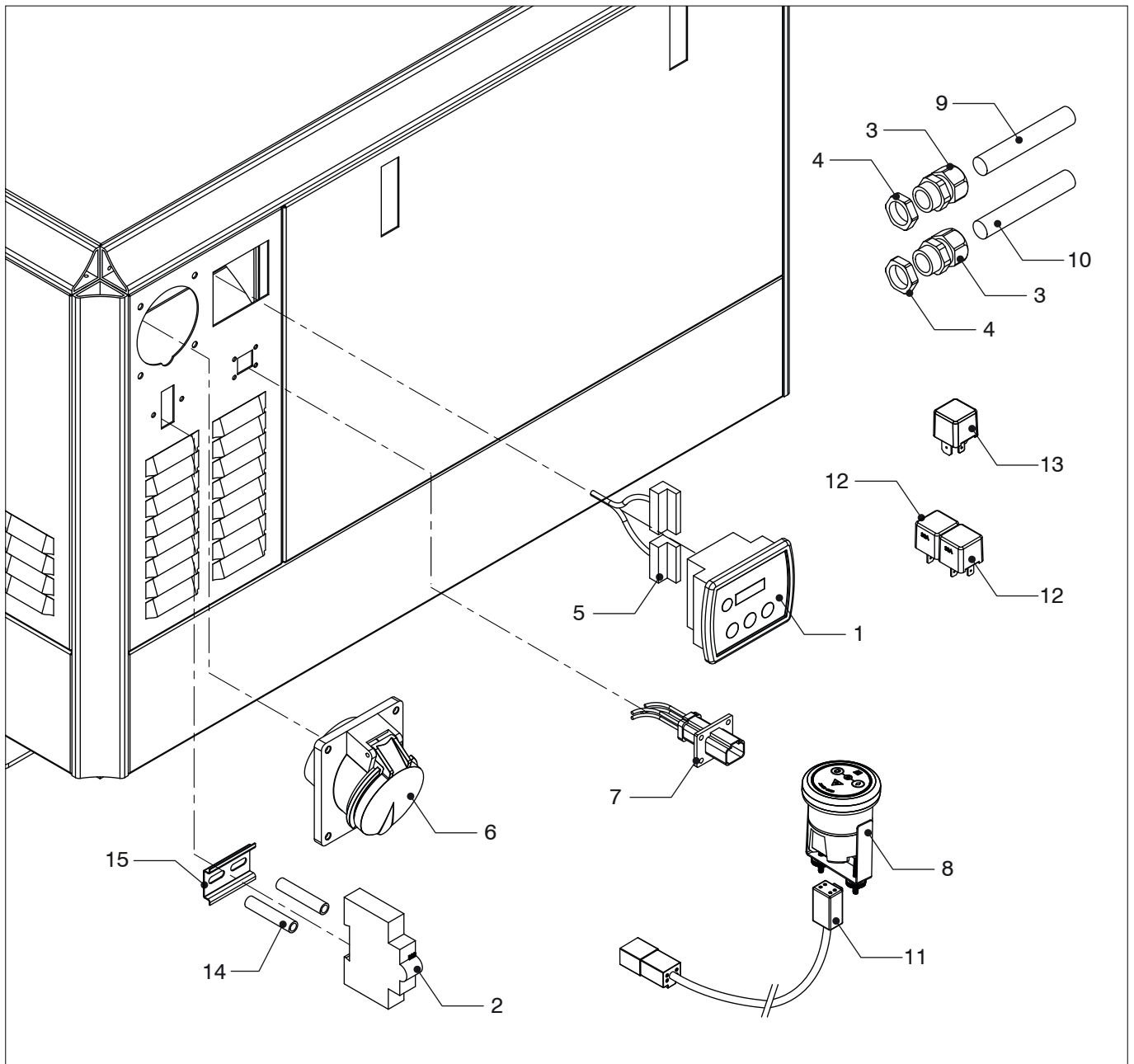
## GHX8SIC

## Bedrading en besturing

## Wiring loom and controls

pos.	qty	part	benaming	description
1	2	15-1399	Kabel wartel Pg16	Cable gland Pg16
2	2	15-1400	Moer Pg16	Nut Pg16
3	1	14-9443	CEE contact 32A	CEE socket 32A
4	1	14-8120	Draadboom	Wire Harness
5	1	14-8104	Motorpaneel 3110	Engine panel 3110
6	1	13-6440	Circuit breaker	Circuit breaker
7	1	16-4588	Chassisdeel	Connector panel
8	1	16-4655	Accu kabel 25mm <sup>2</sup> (rood)	Battery cable 25mm <sup>2</sup> (red)
9	1	16-4657	Accu kabel 25mm <sup>2</sup> (zwart)	Battery cable 25mm <sup>2</sup> (black)
10	2	STM9050	Relais 12VDC 40A	Relay 12VDC 40A
11	1	14-9283	Afstandsbediening	Remote control panel
12	1	16-6134	Verlengkabel 8m	Extension cable 8m
13	1	14-9432	Din rail L=100mm	Din rail L=100mm
14	1	16-4957	Afstandsbus	Spacer bush



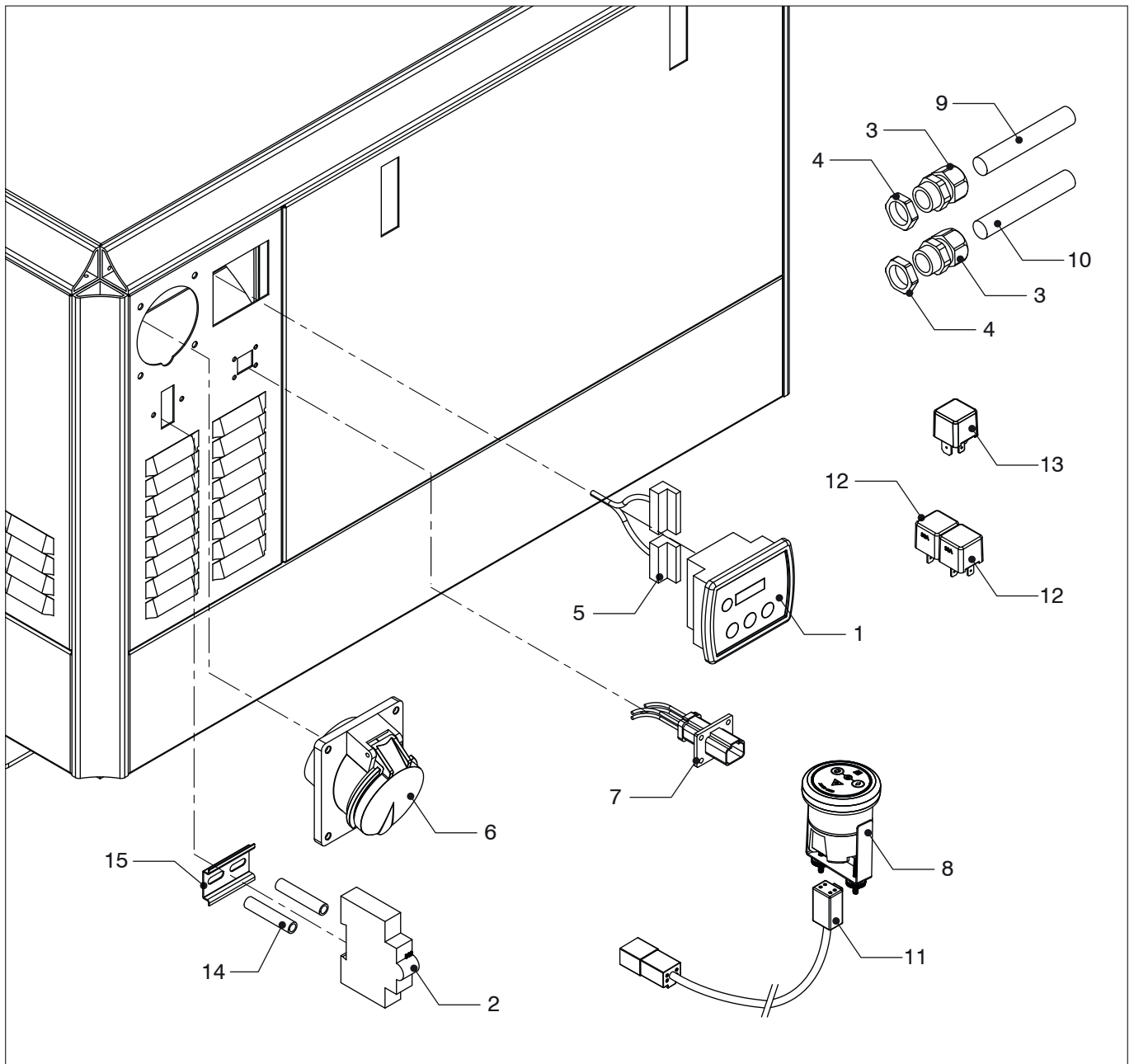


### GHX14SIC

### Bedrading en besturing

### Wiring loom and controls

pos.	qty	part	benaming	description
1	1	14-8104	Motorpaneel 3110	Engine panel 3110
2	1	16-4024	Circuit breaker	Circuit breaker
3	2	15-1399	Kabel wartel Pg16	Cable gland Pg16
4	2	15-1400	Moer Pg16	Nut Pg16
5	1	14-9077	Draadboom	Wire Harness
6	1	16-3640	CEE contact 63A 230v	CEE socket 63A 230v
7	1	16-4588	Chassisdeel	Connector panel
8	1	14-9283	Afstandsbediening	Remote control panel
9	1	16-4655	Accu kabel 25mm <sup>2</sup> (rood)	Battery cable 25mm <sup>2</sup> (red)
10	1	16-4657	Accu kabel 25mm <sup>2</sup> (zwart)	Battery cable 25mm <sup>2</sup> (black)
11	1	16-6099	Verlengkabel 6m	Extension cable 6m
12	1	STM9050	Relais 12V 30-40A	Relay 12V 30-40A
13	1	STM9043	Relais 12V 70 A	Relay 12V 70 A
14	1	16-4957	Afstandsbus	Spacer bush
15	1	14-9432	Din rail L=100mm	Din rail L=100mm

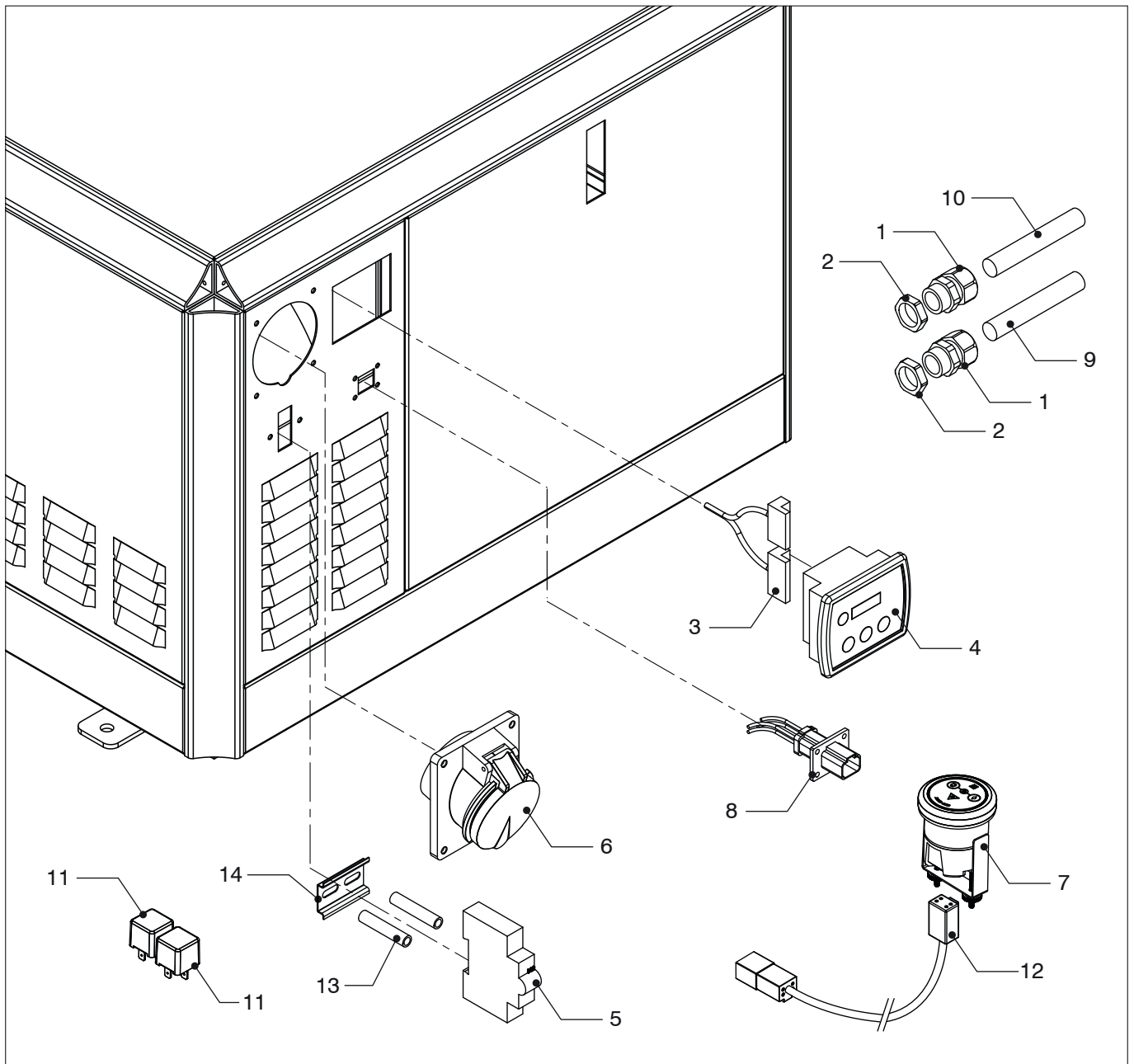


### GLX14SIC

### Bedrading en besturing

### Wiring loom and controls

pos.	qty	part	benaming	description
1	1	14-8104	Motorpaneel 3110	Engine panel 3110
2	1	16-4024	Circuit breaker	Circuit breaker
3	2	15-1399	Kabel wartel Pg16	Cable gland Pg16
4	2	15-1400	Moer Pg16	Nut Pg16
5	1	14-9077	Draadboom	Wire Harness
6	1	16-3640	CEE contact 63A 230v	CEE socket 63A 230v
7	1	16-4588	Chassisdeel	Connector panel
8	1	14-9283	Afstandsbediening	Remote control panel
9	1	16-4655	Accu kabel 25mm <sup>2</sup> (rood)	Battery cable 25mm <sup>2</sup> (red)
10	1	16-4657	Accu kabel 25mm <sup>2</sup> (zwart)	Battery cable 25mm <sup>2</sup> (black)
11	1	16-6099	Verlengkabel 6m	Extension cable 6m
12	1	STM9050	Relais 12V 30-40A	Relay 12V 30-40A
13	1	STM9043	Relais 12V 70 A	Relay 12V 70 A
14	1	16-4957	Afstandsbus	Spacer bush
15	1	14-9432	Din rail L=100mm	Din rail L=100mm



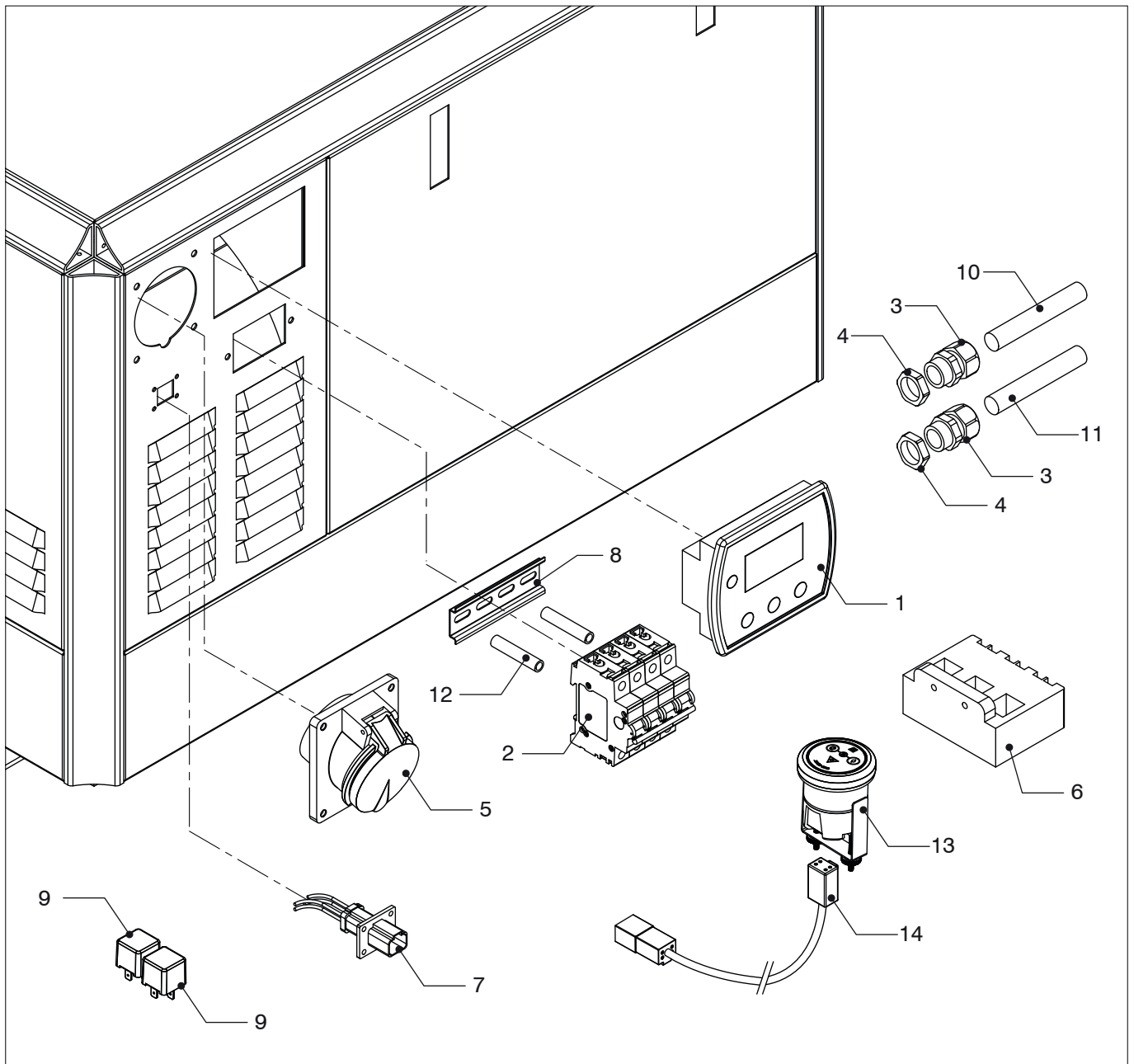
**GLX6SIC**

**GLX7SIC**

**Bedrading en besturing**

**Wiring loom and controls**

pos.	qty	part	benaming	description
1	2	15-1399	Kabel wartel Pg16	Cable gland Pg16
2	2	15-1400	Moer Pg16	Nut Pg16
3	1	14-8120	Draadboom	Wire Harness
4	1	14-8104	Motorpaneel 3110	Engine panel 3110
5	1	14-9453	Circuit breaker	Circuit breaker
6	1	14-9443	CEE contact 32A	CEE socket 32A
7	1	14-9283	Afstandsbediening	Remote control panel
8	1	16-4588	Chassisdeel	Connector panel
9	1	16-4655	Accu kabel 25mm <sup>2</sup> (rood)	Battery cable 25mm <sup>2</sup> (red)
10	1	16-4657	Accu kabel 25mm <sup>2</sup> (zwart)	Battery cable 25mm <sup>2</sup> (black)
11	1	STM9050	Relais 12V 30-40A	Relay 12V 30-40A
12	1	16-6099	Verlengkabel 6m	Extension cable 6m.
13	1	16-4957	Afstandsbus	Spacer bush
14	1	14-9432	Din rail L=100mm	Din rail L=100mm

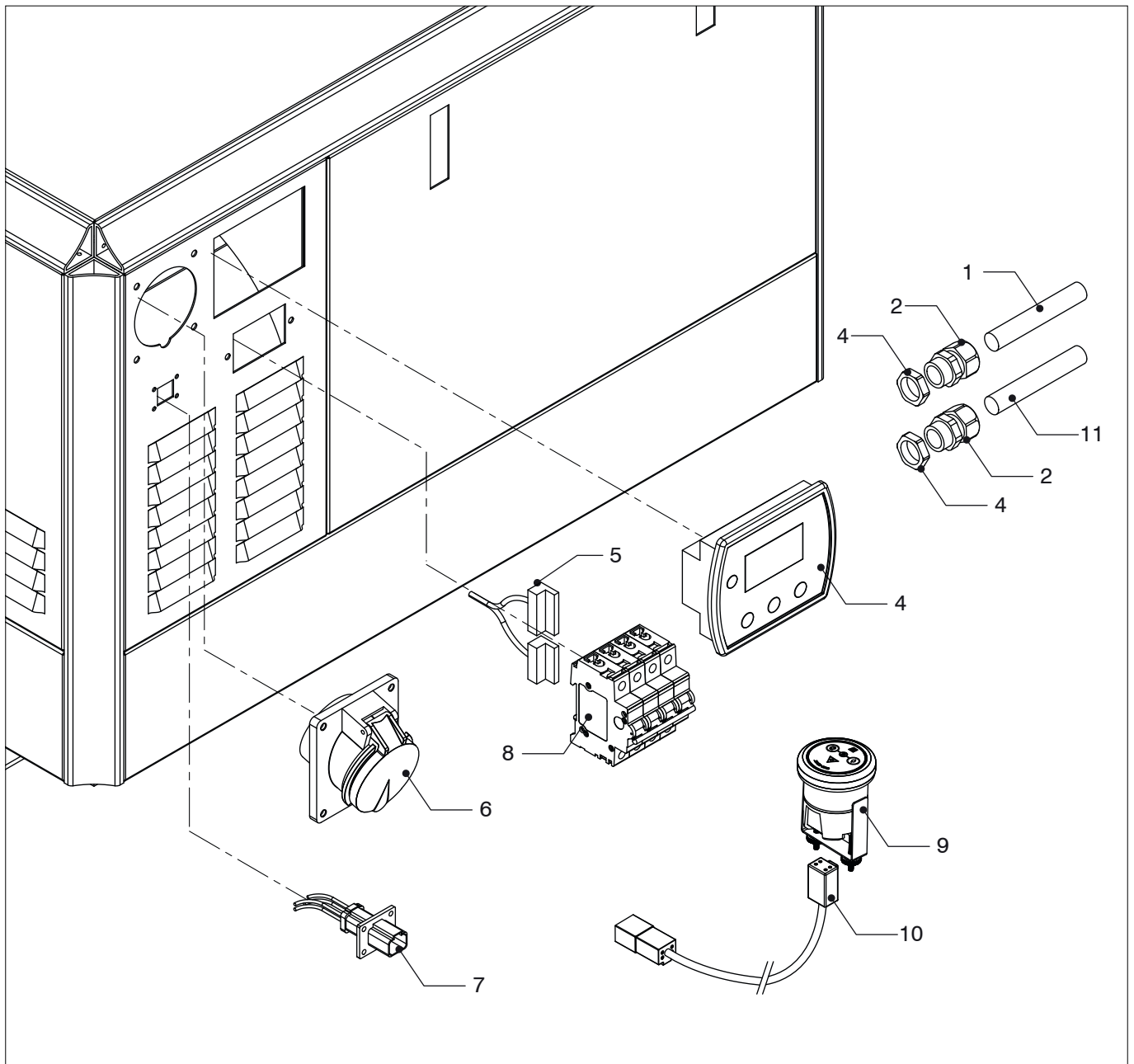


## GHX14TIC

## Bedrading en besturing

## Wiring loom and controls

pos.	qty	part	benaming	description
1	1	14-9248	Motorpaneel	Engine panel
2	1	14-8119	Circuit breaker 25A	Circuit breaker 25A
3	2	15-1399	Kabel wartel Pg16	Cable gland Pg16
4	2	15-1400	Moer Pg16	Nut Pg16
5	1	14-9241	CEE contact 32A 400V	CEE socket 32A 400V
6	1	16-4803	Stroomtransformator	Current transformer
7	1	16-4588	Chassisdeel	Connector panel
8	1	14-9432	Din rail L=100mm	Din rail L=100mm
9	2	STM9050	Relais 12V 30-40A	Relay 12V 30-40A
10	1	16-4655	Accu kabel 25mm <sup>2</sup> (rood)	Battery cable 25mm <sup>2</sup> (red)
11	1	16-4657	Accu kabel 25mm <sup>2</sup> (zwart)	Battery cable 25mm <sup>2</sup> (black)
12	1	16-4957	Afstandsbus	Spacer bush
13	1	14-9283	Afstandsbediening	Remote control panel
14	1	16-6099	Verlengkabel 6m	Extension cable 6m.

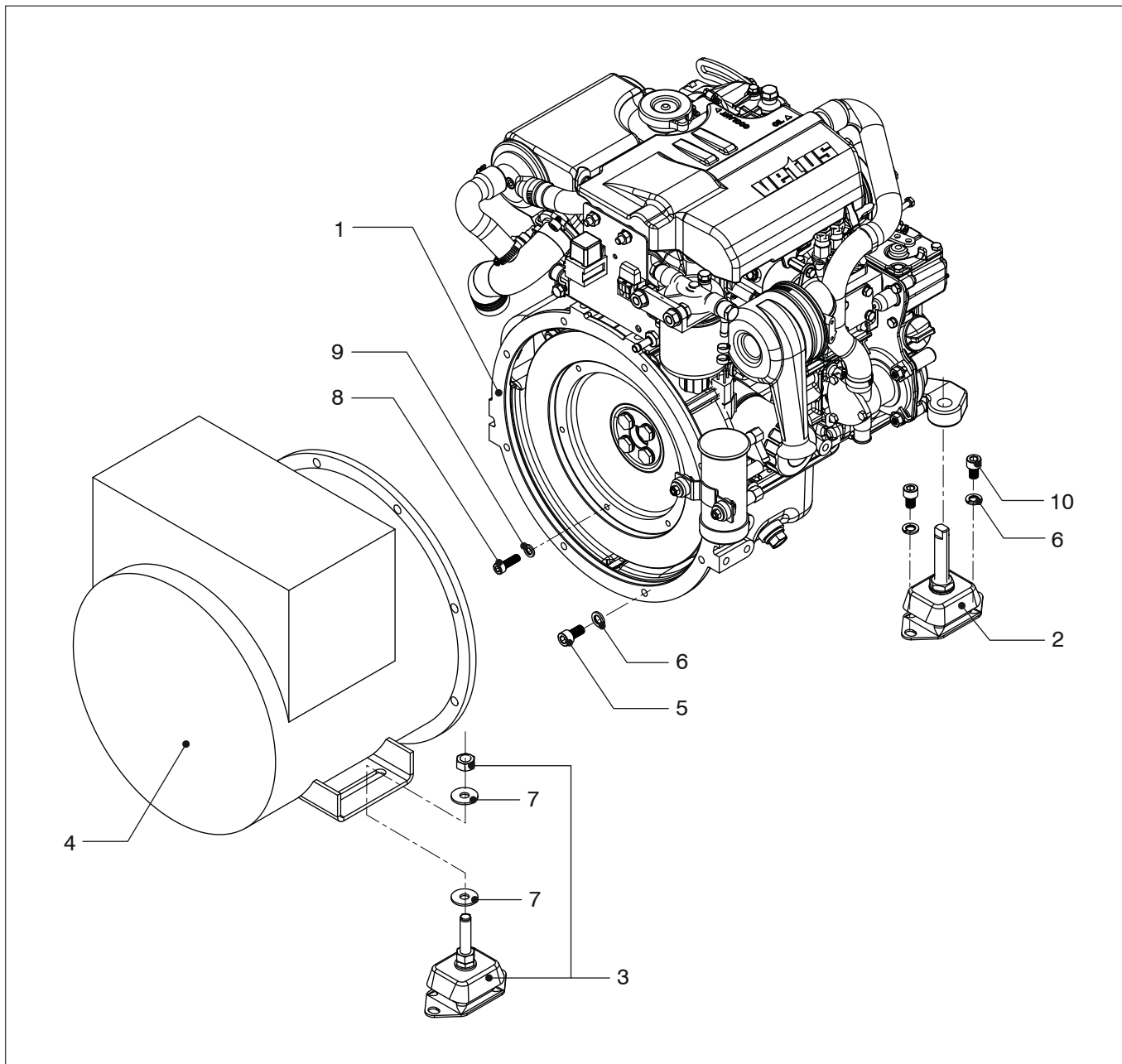


**GLX14TIC**

**Bedrading en besturing**

**Wiring loom and controls**

pos.	qty	part	benaming	description
1	1	16-4655	Accu kabel 25mm <sup>2</sup> (rood)	Battery cable 25mm <sup>2</sup> (red)
2	2	15-1399	Kabel wartel	Cable gland Pg16
3	2	15-1400	Moer Pg16	Nut Pg16
4	1	14-9248	Motorpaneel	Engine panel
5	1	17-7832	Draadboom 3fase	Wire Harness 3fase
6	1	14-9241	CEE contact 32A 400V	CEE socket 32A 400V
7	1	16-4588	Chassisdeel	Connector panel
8	1	14-8119	Circuit breaker	Circuit breaker 25A
9	1	14-9283	Afstandsbediening	Remote control panel
10	1	16-6099	Verlengkabel 6m.	Extension cable 6m.
11	1	16-4657	Accu kabel 25mm <sup>2</sup> (zwart)	Battery cable 25mm <sup>2</sup> (black)

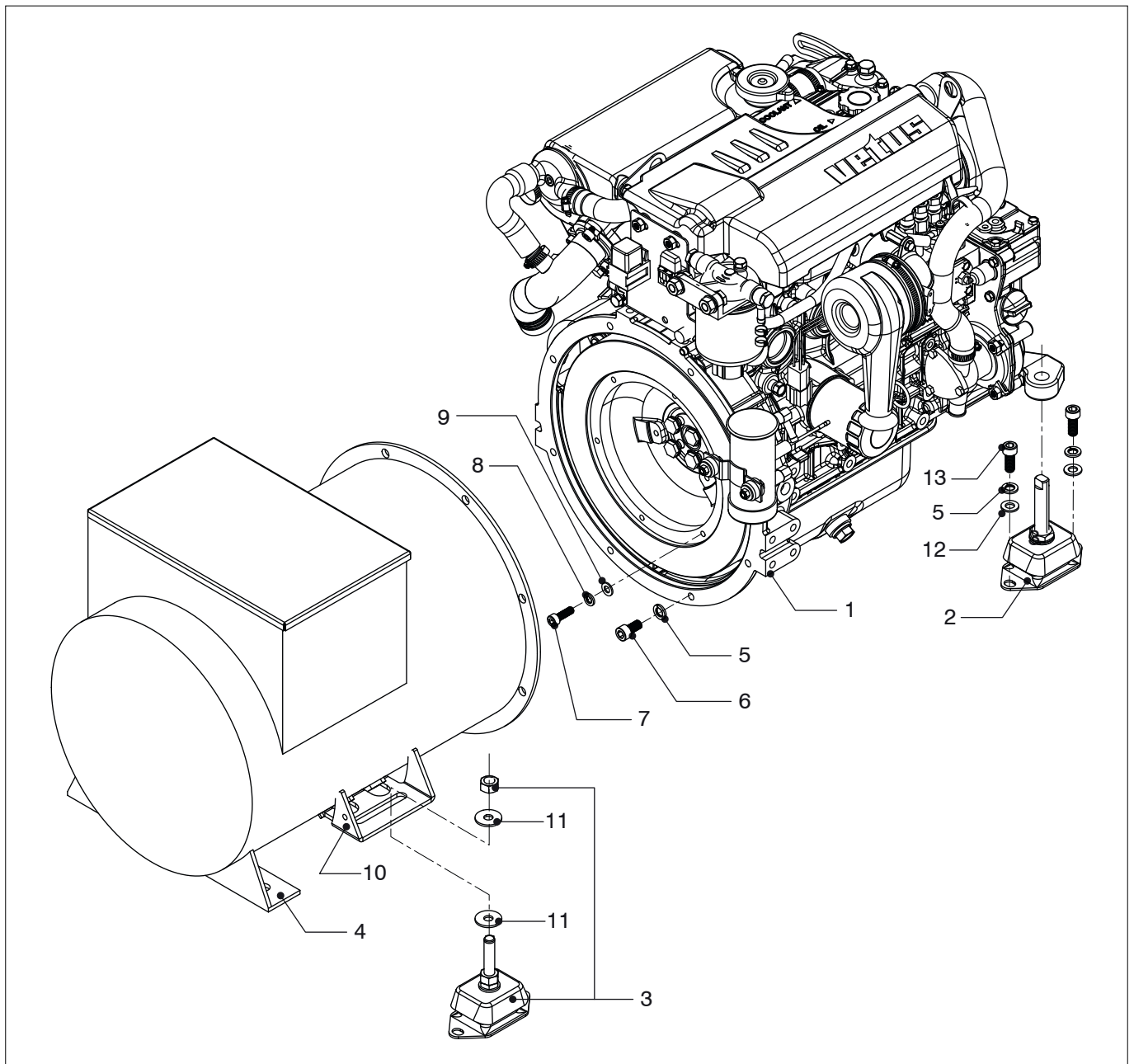


**GHX8SIC**

**Generator + Motor**

**Generator + Engine**

pos.	qty	part	benaming	description
1	1	<b>218GEN</b>	M2 Motor, Generator Spec.	M2 Engine Generator spec.
2	2	<b>KGEN5016</b>	Generator support M16	Generator mount M16
3	2	<b>K5012V</b>	Generator support M12	Generator mount M12
4	1	<b>SK160CA2</b>	Generator 9 kVA 1-fase	Generator 9 kVA single phase
5	8	<b>15-1700</b>	Inbusbout M10x1.25x20	Socket head cap screw M10x1.25x20
6	10	<b>R104R</b>	Veerring	Spring lock washer
7	4	<b>R102R4</b>	Ring M10 3D	Plain washer M10 3D
8	6	<b>B08257R4</b>	Inbusbout M8x25	Socket head cap screw M8x25
9	6	<b>R084R4</b>	Veerring M8	Spring lock washer M8
10	4	<b>B10167R</b>	Inbusbout M10x16	Socket head cap screw M10x16

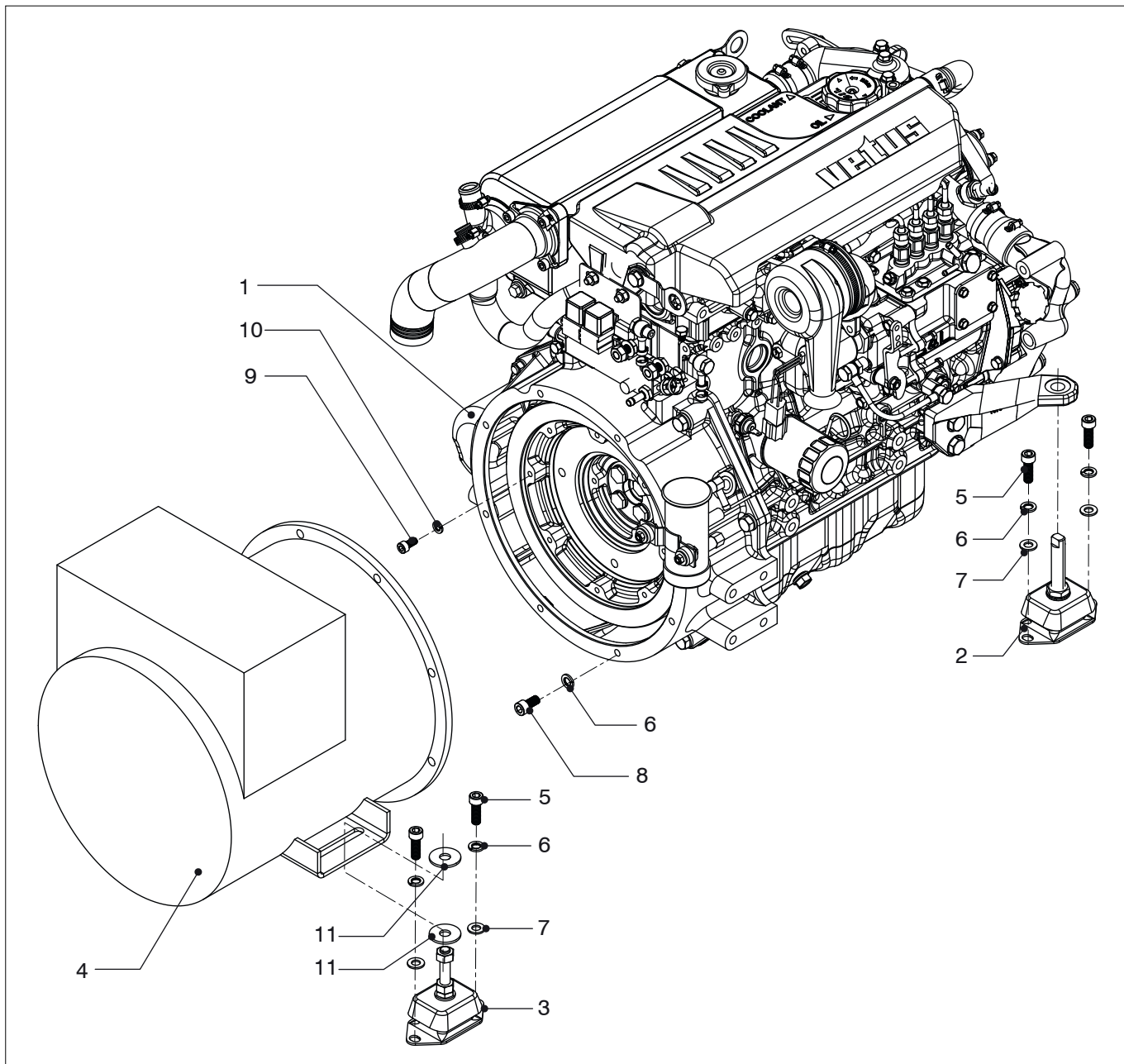


**GHX145IC**

**Generator + Motor**

**Generator + Engine**

pos.	qty	part	benaming	description
1	1	<b>329HGEN</b>	M3 Motor, Generator Spec.	M3 Engine Generator spec.
2	2	<b>KSTEUN75</b>	Motorsteun	Engine mount
3	2	<b>K5012V</b>	Generator steun M12	Generator mount M12
4	1	<b>SK-160 LA 2</b>	Generator 16,8 kVA 1-fase	Generator 16.8 kVA single phase
5	13	<b>R104R4</b>	Veerring M10 3D	Spring lock washer M10 3D
6	8	<b>15-1700</b>	Inbusbout M10x1.25x20	Socket head cap screw M10x1.25x20
7	6	<b>91292A207</b>	Inbusbout	Socket head cap screw
8	6	<b>R084R4</b>	Veerring M8	Spring lock washer M8
9	6	<b>R081R4</b>	Ring M8	Plain washer M8
10	2	<b>16-4843</b>	Voetsteun	Damper bracket
11	2	<b>95211A200</b>	Ring M12 3D	Plain washer M12 3D
12	5	<b>R101R4</b>	Ring M10	Plain washer M10
13	5	<b>91292A158</b>	Inbusbout M10	Socket head cap screw M10



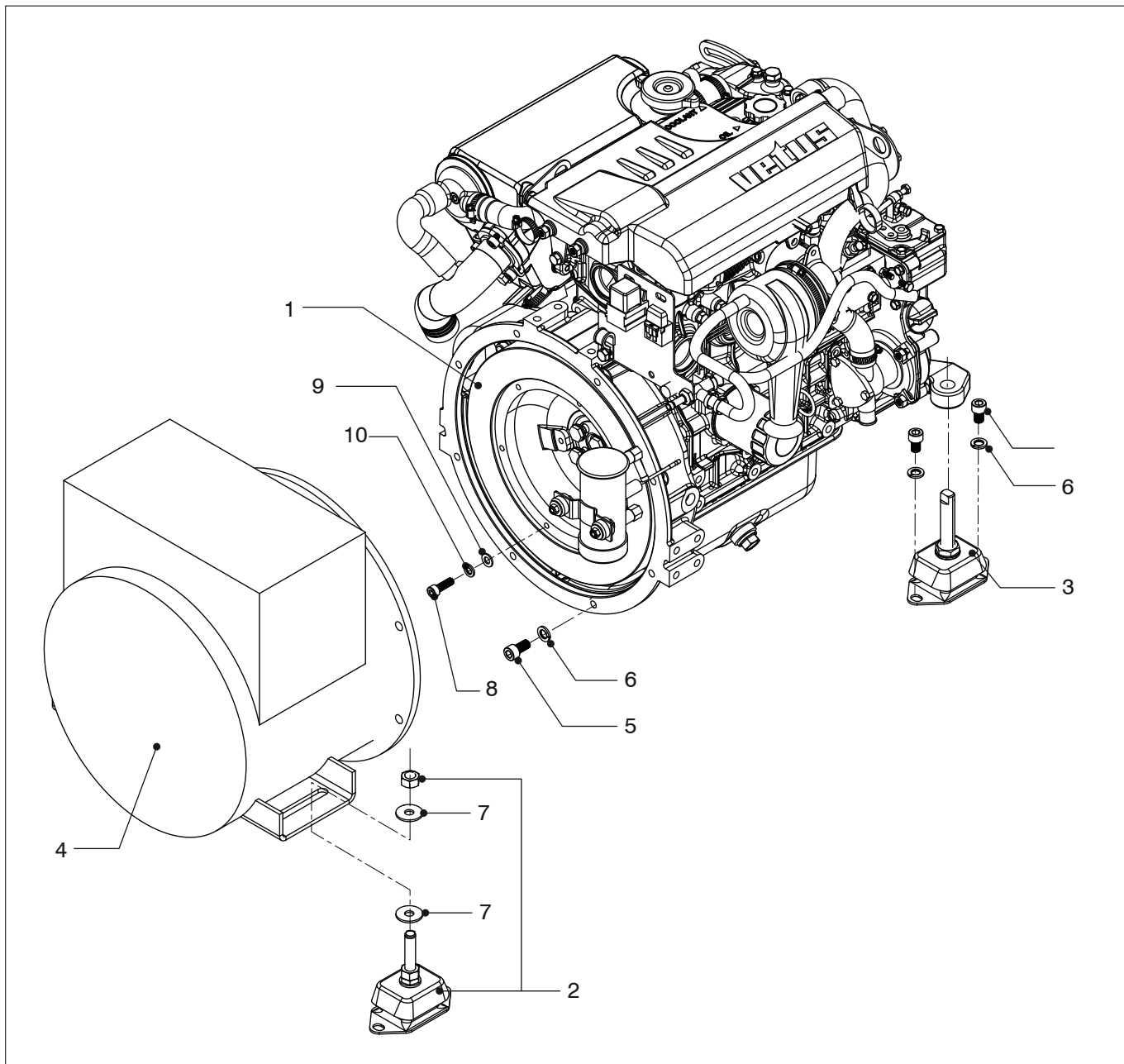
**GLX14SIC**

**Generator + Motor**

**Generator + Engine**

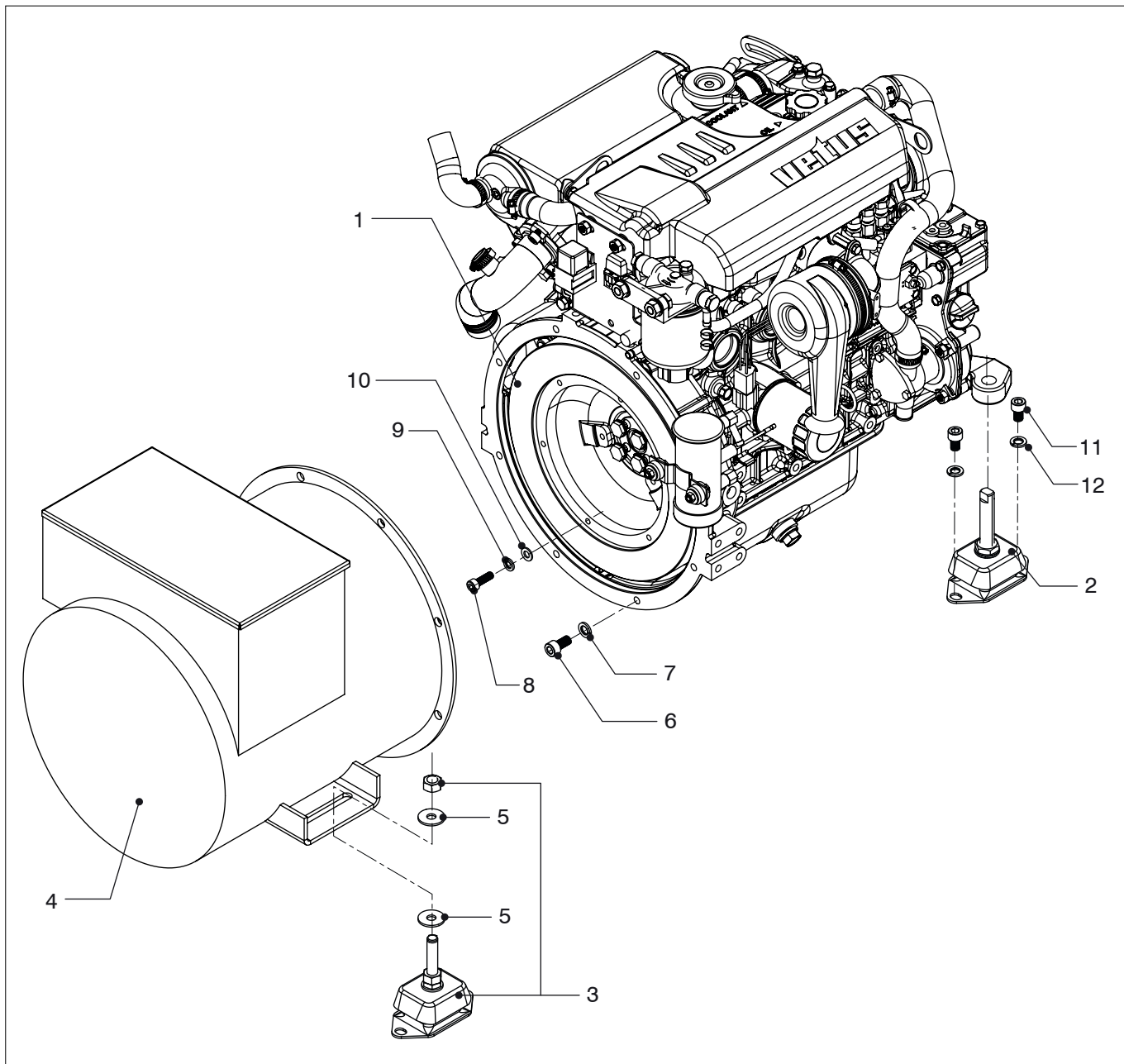
pos.	qty	part	benaming	description
1	1	<b>455LGEN</b>	M4 Motor, Generator Spec.	M4 Engine Generator spec.
2	2	<b>KGEN5016</b>	Generator steun M16	Generator mount M16
3	2	<b>K5012V</b>	Generator steun M12	Generator mount M12
4	1	<b>SK160MA1</b>	Generator 16,5 kVA 1-fase	Generator 16.5 kVA single phase
5	9	<b>B10307R</b>	Inbusbout	Socket head cap screw
6	17	<b>R104R</b>	Veerring	Spring lock washer
7	8	<b>R101R4</b>	Ring	Plain washer
8	8	<b>15-1700</b>	Inbusbout M10x1.25x20	Socket head cap screw M10x1.25x20
9	8	<b>B08167R4</b>	Inbusbout	Socket head cap screw
10	8	<b>R084R</b>	Veerring	Spring lock washer
11	4	<b>R122R</b>	Ring 3D	Plain washer 3D





GLX6SIC	GLX7SIC	Generator + Motor	Generator + Engine
---------	---------	-------------------	--------------------

pos.	qty	part	benaming	description
1	1	<b>329LGEN</b>	M3 Motor, Generator Spec.	M3 Engine Generator spec.
2	1	<b>K5012V</b>	Generator support M12	Generator mount M12
3	1	<b>KGEN5016</b>	Generator support M16	Generator mount M16
4	1	<b>SK160SA1</b>	Generator 7 kVA 1-fase	Generator 7 kVA single phase
5	8	<b>15-1700</b>	Inbusbout M10x1.25x20	Socket head cap screw M10x1.25x20
6	8	<b>R104R</b>	Veerring	Spring lock washer
7	2	<b>R122R4</b>	Ring M10 3D	Plain washer M10 3D
8	6	<b>B08167R4</b>	Inbusbout M8x25	Socket head cap screw M8x25
9	6	<b>R081R4</b>	Veerring M8	Spring lock washer M8
10	6	<b>R084R4</b>	Inbusbout M10x16	Socket head cap screw M10x16

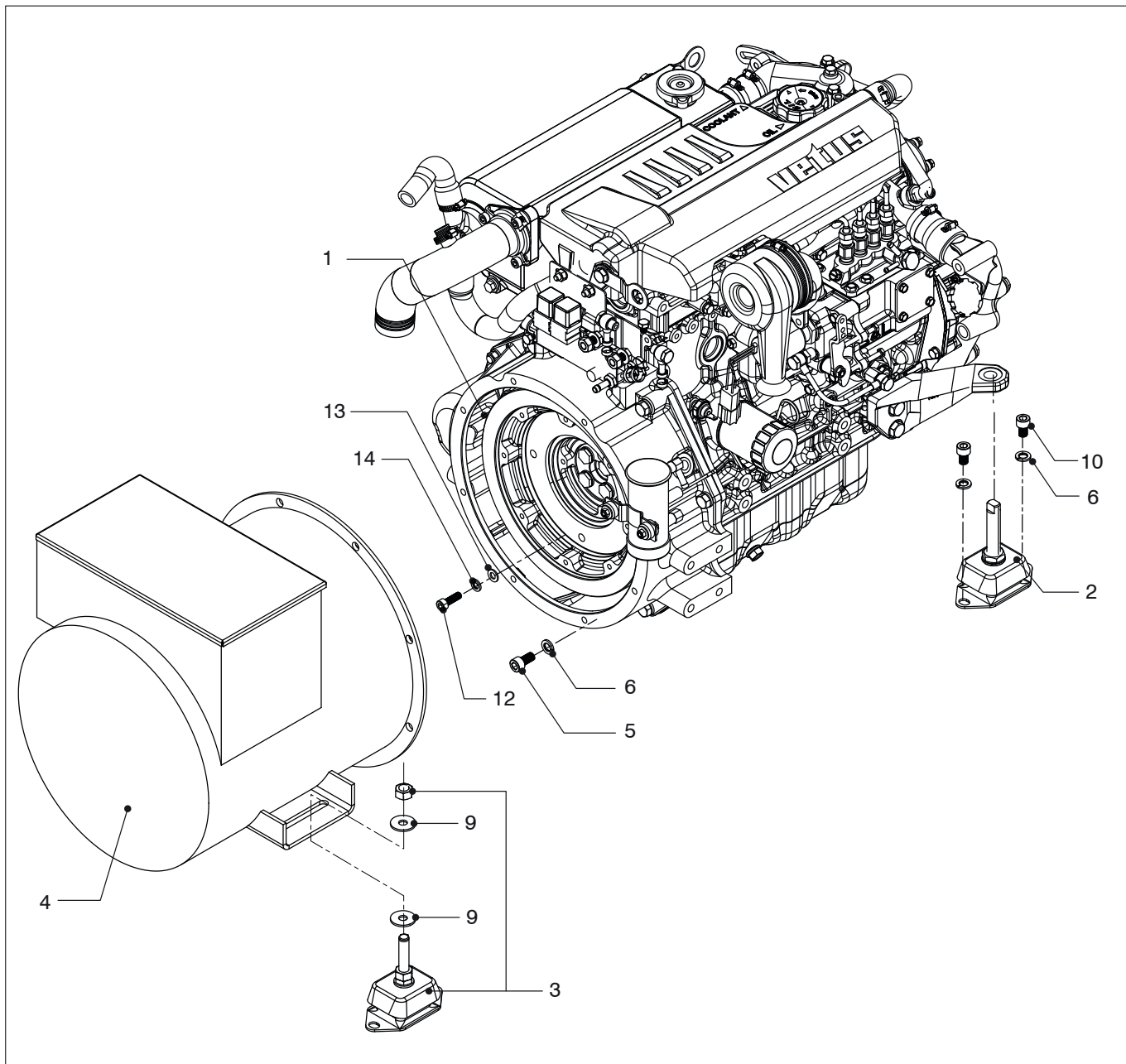


**GHX14TIC**

**Generator + Motor**

**Generator + Engine**

pos.	qty	part	benaming	description
1	1	<b>329HGEN</b>	M2 Motor, Generator Spec.	M3 Engine Generator spec.
2	2	<b>KSTEUN75</b>	Generator support M16	Generator mount M16
3	2	<b>K5012V</b>	Generator support M12	Generator mount M12
4	1	<b>SK160MA2</b>	Generator 20 KVa 3-fase	Generator 20 KVa 3-fase
5	2	<b>R122R4</b>	Ring M10 3D	Spring lock washer
6	8	<b>15-1700</b>	Inbusbout M10x1.25x20	Socket head cap screw M10x1.25x20
7	8	<b>R104R4</b>	Ring M10 3D	Spring lock washer
8	6	<b>B08257R4</b>	Inbusbout M8x25	Socket head cap screw M8x25
9	6	<b>R084R4</b>	Veerring M8	Spring lock washer M8
10	6	<b>R081R4</b>	Inbusbout M10x16	Socket head cap screw M10x16
11	2	<b>B10167R</b>	Inbusbout	Socket head cap screw
12	2	<b>R104R</b>	Veerring	Spring lock washer

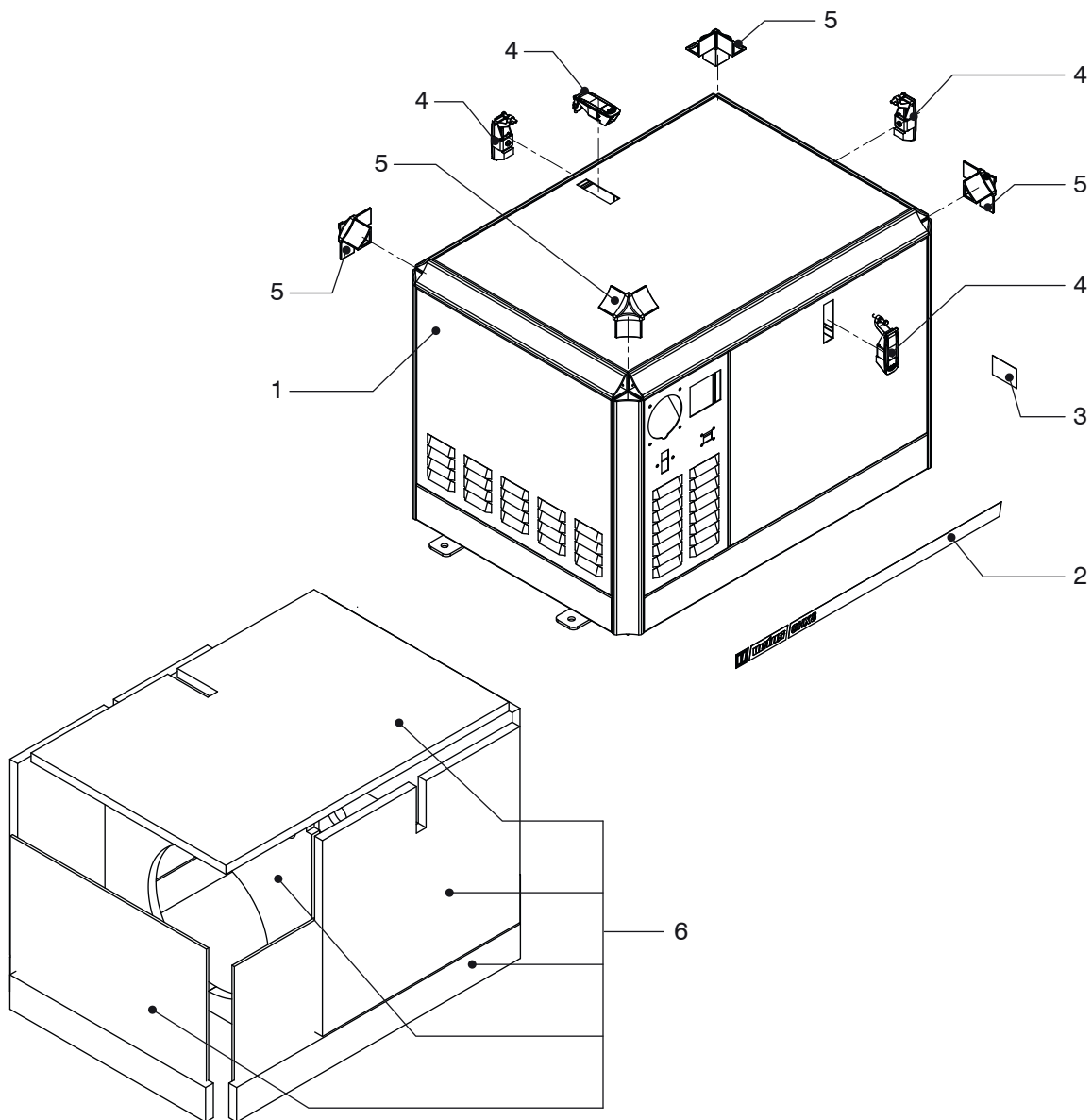


**GLX14TIC**

**Generator + Motor**

**Generator + Engine**

pos.	qty	part	benaming	description
1	1	<b>455LGEN</b>	M4 motor, Generator Spec.	M4 Engine Generator Spec.
2	2	<b>KGEN5016</b>	Generator support M16	Generator mount M16
3	2	<b>K5012V</b>	Generator support M12	Generator Mount M12
4	1	<b>SK160MA4</b>	Generator 17,5 KVa 3 fase	Generator 17,5 KVa 3 fase
5	1	<b>15-1700</b>	Inbusbout M10x1.25x20	Socket head cap screw M10x1.25x20
6	7	<b>R104R</b>	Ring	Spring lock washer
9	2	<b>R122R4</b>	Ring 3D	Spring lock washer 3D
10	6	<b>B10307R</b>	Inbusbout	Socket head cap screw
12	8	<b>B08257R</b>	Inbusbout	Socket head cap screw
13	8	<b>R081R</b>	Plain washer	Plain washer
14	8	<b>R084R</b>	Ring	Spring lock washer

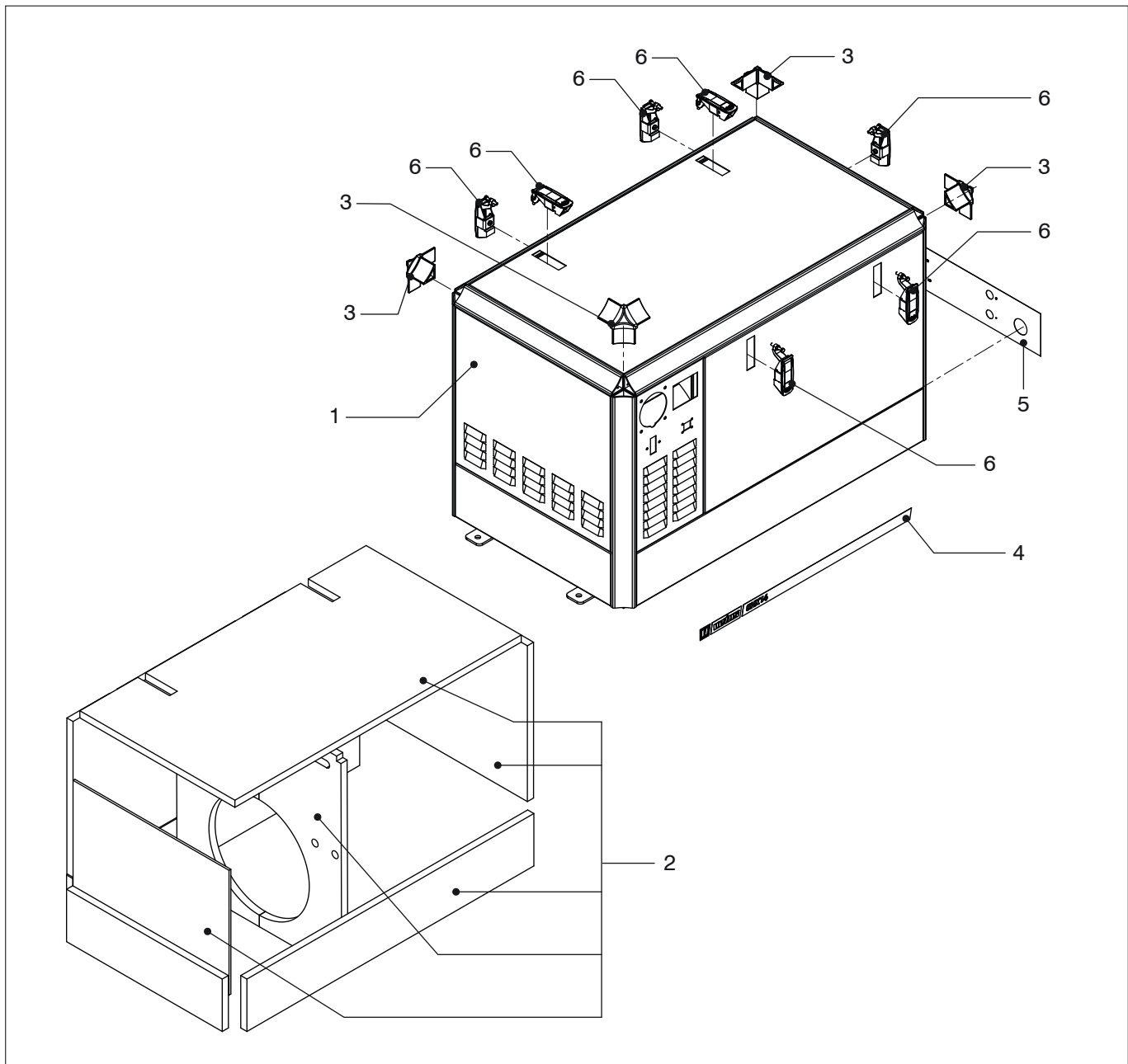


**GHX8SIC**

**Behuizing en isolatie**

**Canopy and insulation**

pos.	qty	part	benaming	description
1	1	15-1287	Behuizing, compleet	Housing, complete
2	1	15-1420	Sticker GHX8	Label GHX8
3	1	14-9450	Sticker, 'Waarschuwingssymbolen'	Label, 'Warning symbols'
4	4	14-7846	Slot	Lock
5	4	12-4585	Koppeling 3-weg	Coupling 3-way
6	1	16-3873	Isolatieset	Insulation set

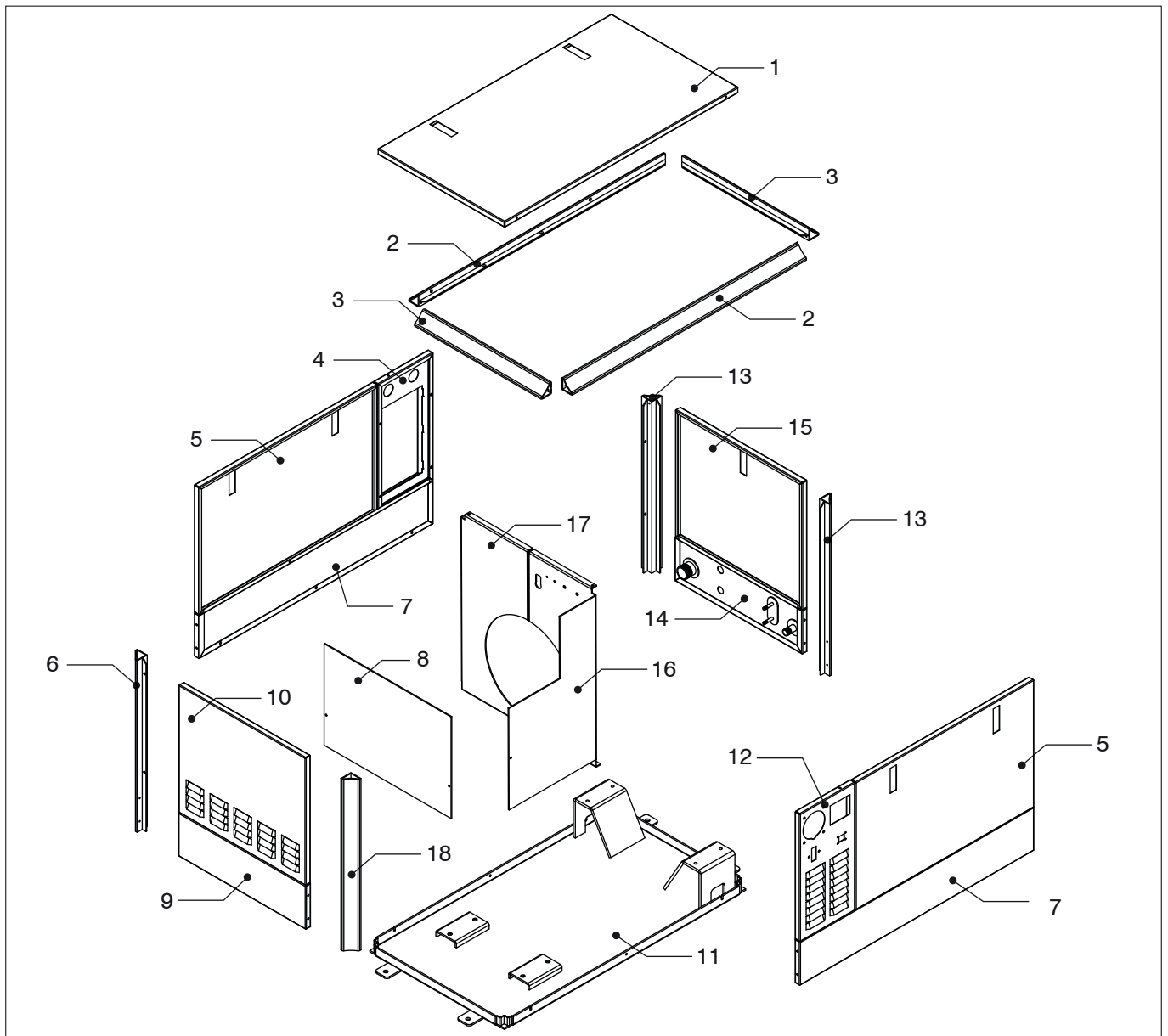


**GHX14SIC**

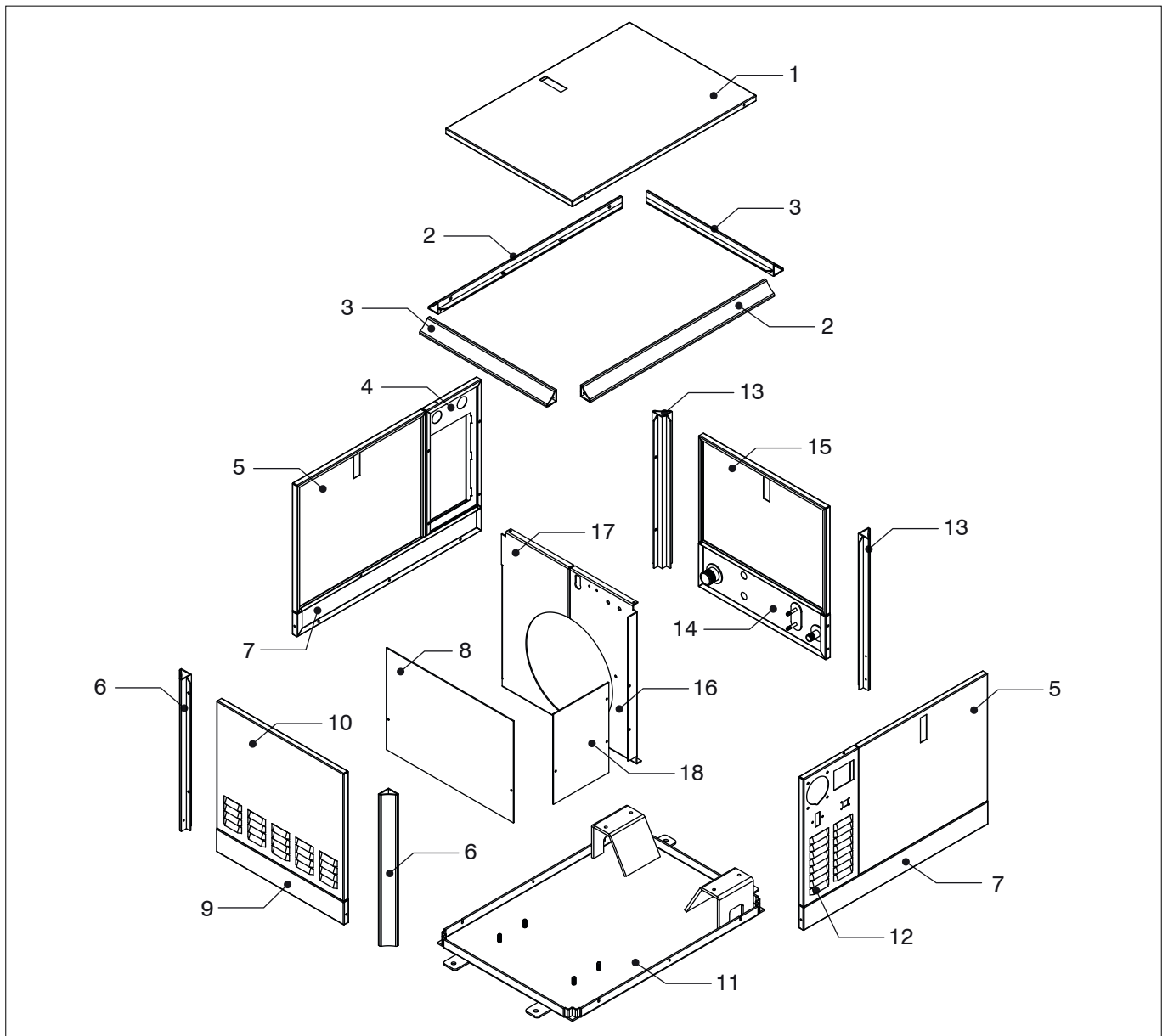
**Behuizing en isolatie**

**Canopy and insulation**

pos.	qty	part	benaming	description
1	1	15-0151	Behuizing, compleet	Housing, complete
2	1	16-3856	Isolatieset	Insulation set
3	4	12-4585	Koppeling 3-weg	Coupling 3-way
4	2	14-9082	Sticker GHX14	Label GHX14
5	1	14-9450	Sticker, 'Waarschuwingssymbolen'	Label, 'Warning symbols'
6	7	14-7846	Slot	Lock


**GHX14SIC**
**Behuizing**
**Canopy**

pos.	qty	part	benaming	description
1	1	14-9069	Bovenpaneel	Top panel
2	2	14-9066	Profiel L=932	Profile L=932
3	2	14-9065	Profiel L=507	Profile L=507
4	1	16-3227	Luchtuitlaat paneel	Air outlet panel
5	2	14-9067	Zijpaneel	Side cover
6	2	14-9063	Zijplint	Side panel
7	1	16-3216	Luchtafscherming	Air shield
8	1	14-8077	Profiel L=591 achterkant	Profile L=591 back
9	1	14-9074	Zijplint	Side panel
10	1	14-8354	Paneel achterkant	Back cover
11	1	14-9064	Profiel L=591 achterkant	Profile L=591 back
12	1	14-9075	Bodempaneel	Assembly bottom
13	1	14-8102	Ventilatiepaneel	Vent cover
14	2	14-8084	Profiel L=591	Profile L=591
15	1	14-9068	Paneel voorkant	Front cover
16	1	14-8363	Plint voorkant	Assy front cover
17	1	15-0147	Luchtafscherming	Air shield
18	1	15-0148	Luchtafscherming	Air shield

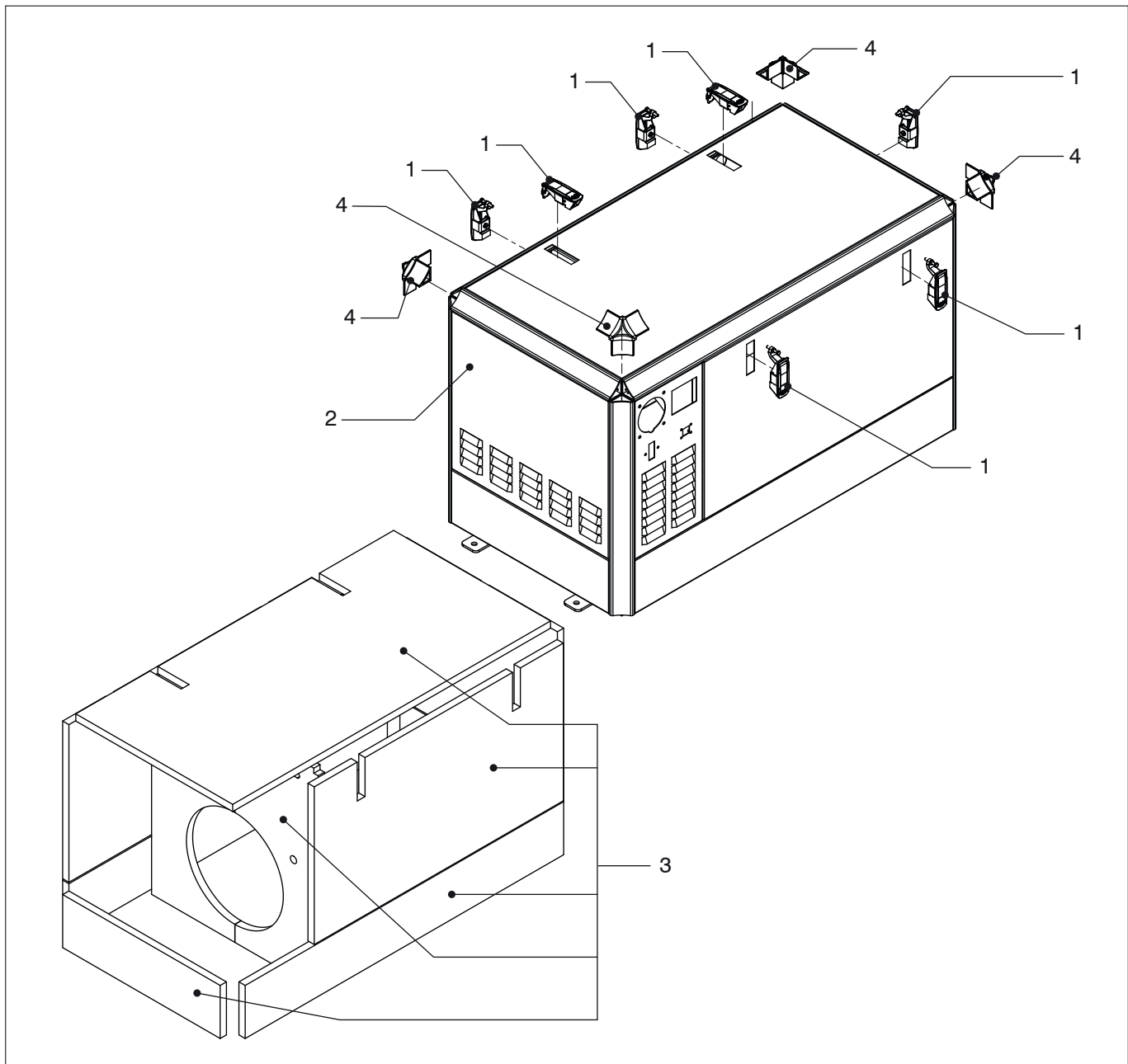


**GHX8SIC**

**Behuizing**

**Canopy**

pos.	qty	part	benaming	description
1	1	14-9430	Bovenpaneel	Top panel
2	2	14-9427	Profiel L=734	Profile L=734
3	2	14-9426	Profiel L=507	Profile L=507
4	1	16-3227	Luchtuitlaat paneel	Air outlet panel
5	2	14-9428	Zijpaneel	Side cover
6	2	14-9423	Profiel L=521 achterkant	Profile L=521 back
7	2	14-9424	Zijlint	Side panel
8	1	16-3216	Luchtafscherming	Air shield
9	1	14-9438	Zijlint	Side panel
10	1	14-8354	Paneel achterkant	Back cover
11	1	14-9439	Bodempaneel	Assembly bottom
12	1	14-8102	Ventilatiepaneel	Vent cover
13	2	14-9425	Profiel L=521	Profile L=521
14	1	14-8363	Plint voorkant	Assy front cover
15	1	14-9429	Paneel voorkant	Front cover
16	1	14-9434	Luchtafscherming	Air shield
17	1	14-9437	Luchtafscherming	Air shield
18	1	16-3235	Luchtafscherming	Air shield

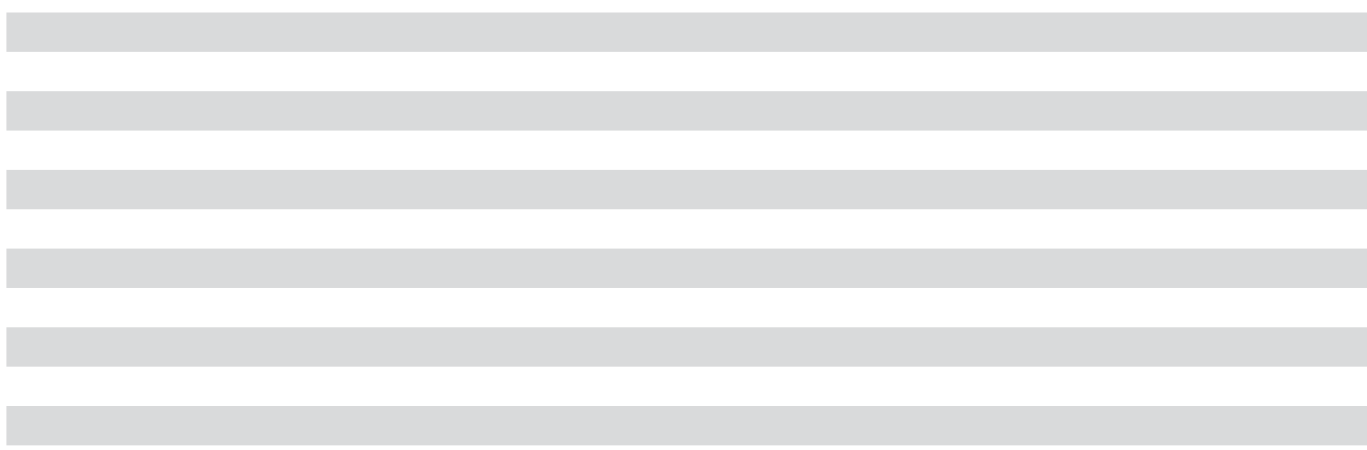


**GLX14SIC**

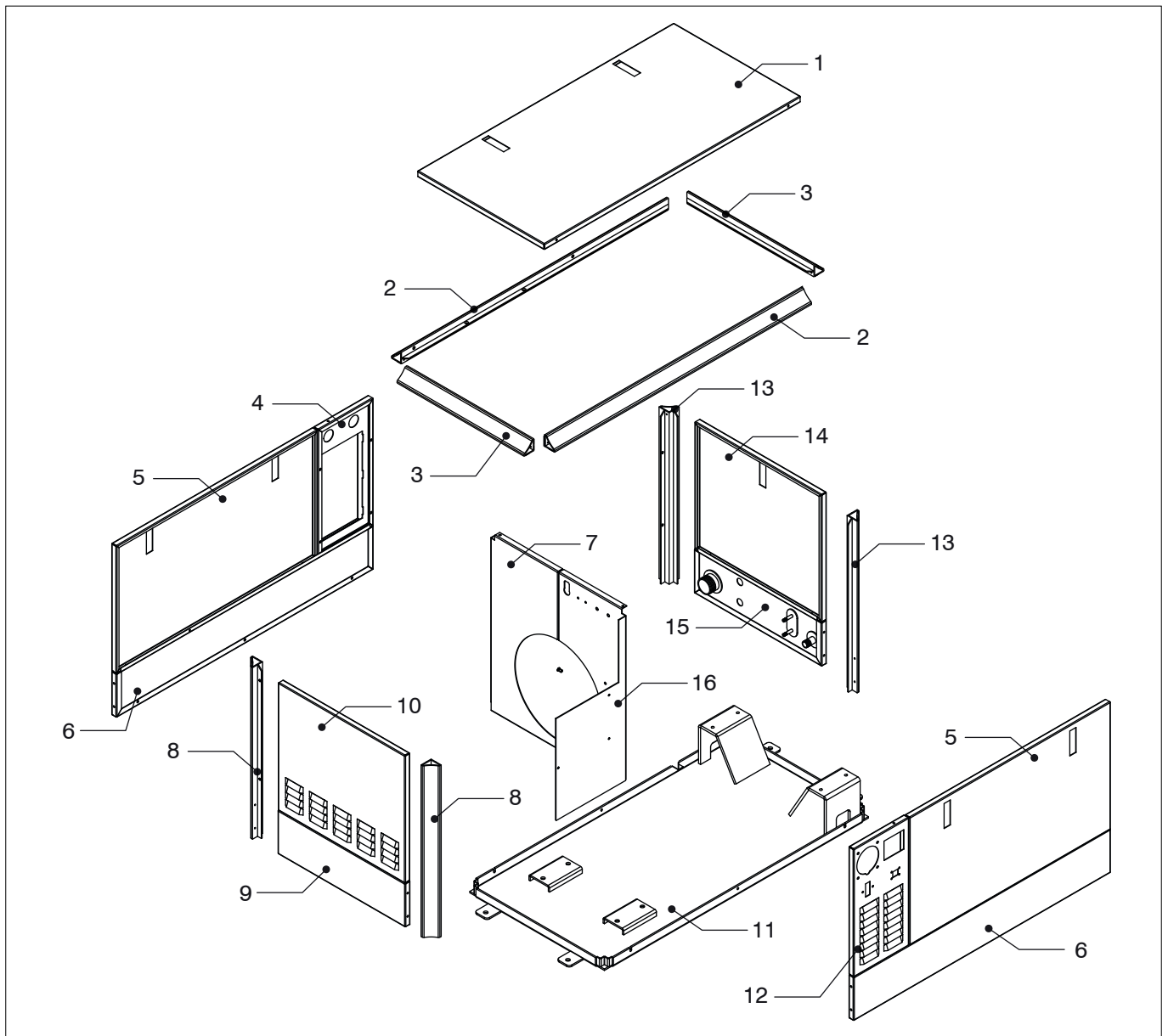
**Behuizing en isolatie**

**Canopy and insulation**

pos.	qty	part	benaming	description
1	7	14-7846	Slot	Lock
2	1	15-0806	Behuizing, compleet	Housing, complete
3	1	16-3874	Isolatieset	Insulation set
4	4	12-4585	Koppeling 3-weg	Coupling 3-way





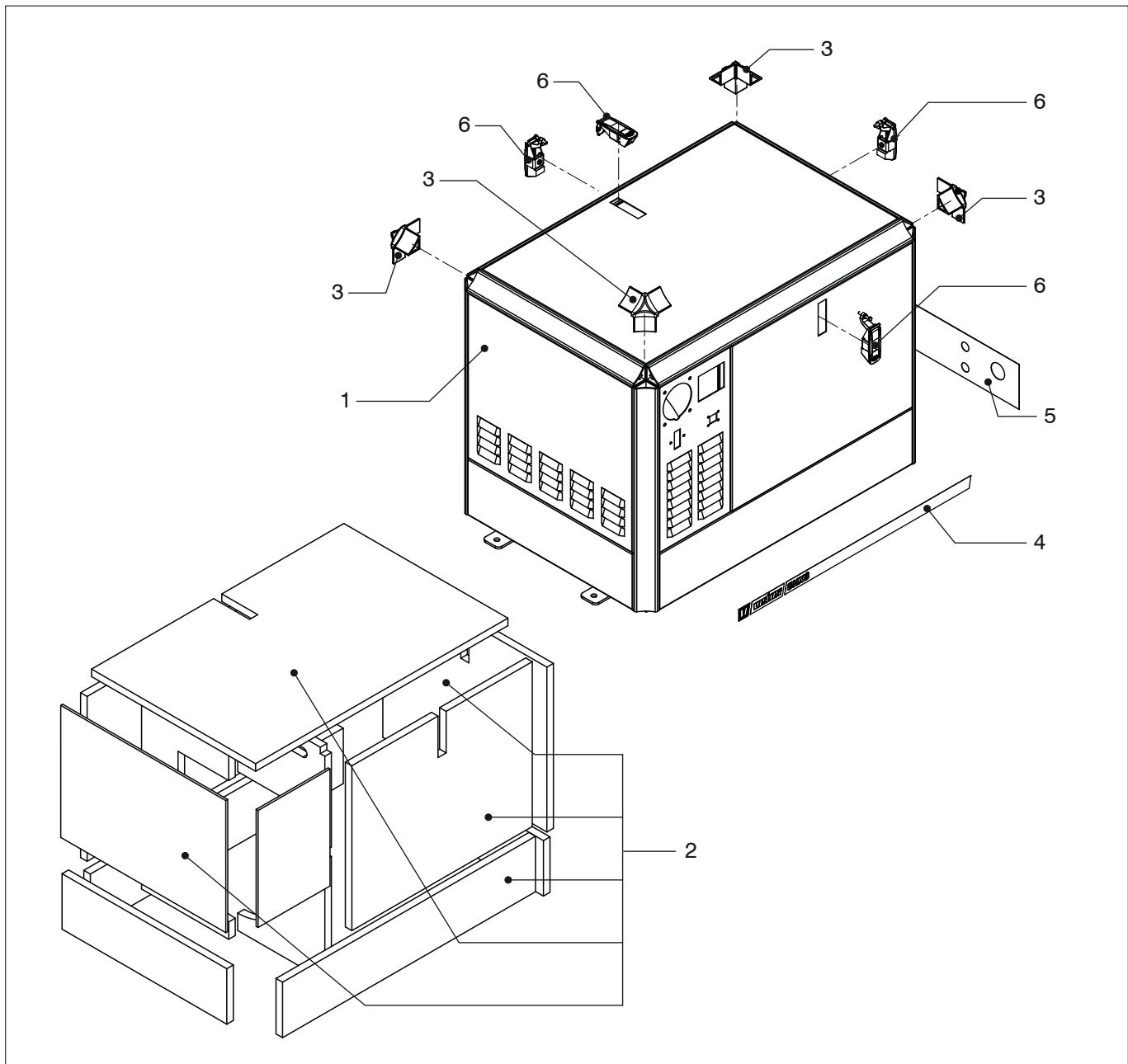


**GLX14SIC**

**Behuizing**

**Canopy**

pos.	qty	part	benaming	description
1	1	15-0822	Bovenpaneel	Top panel
2	2	15-0819	Profiel L=1092	Profile L=1092
3	2	14-9065	Profiel L=507	Profile L=507
4	1	14-9445	Luchtuitlaat paneel	Air output panel
5	2	15-0820	Zijpaneel	Side cover
6	2	15-0816	Zijplint	Side panel
7	1	15-0833	Luchtafsterming	Air shield
8	2	14-9064	Profiel L=591 achterkant	Profile L=591 back
9	1	14-9074	Zijplint	Side panel
10	1	14-8354	Paneel achterkant	Back cover
11	1	15-0824	Bodempaneel	Assembly bottom
12	1	14-8102	Ventilatiepaneel	Vent cover
13	2	14-8084	Profiel L=591	Profile L=591
14	1	14-9068	Paneel voorkant	Front cover
15	1	15-0889	Plint voorkant	Assy front cover
16	1	15-0832	Luchtafsterming	Air shield



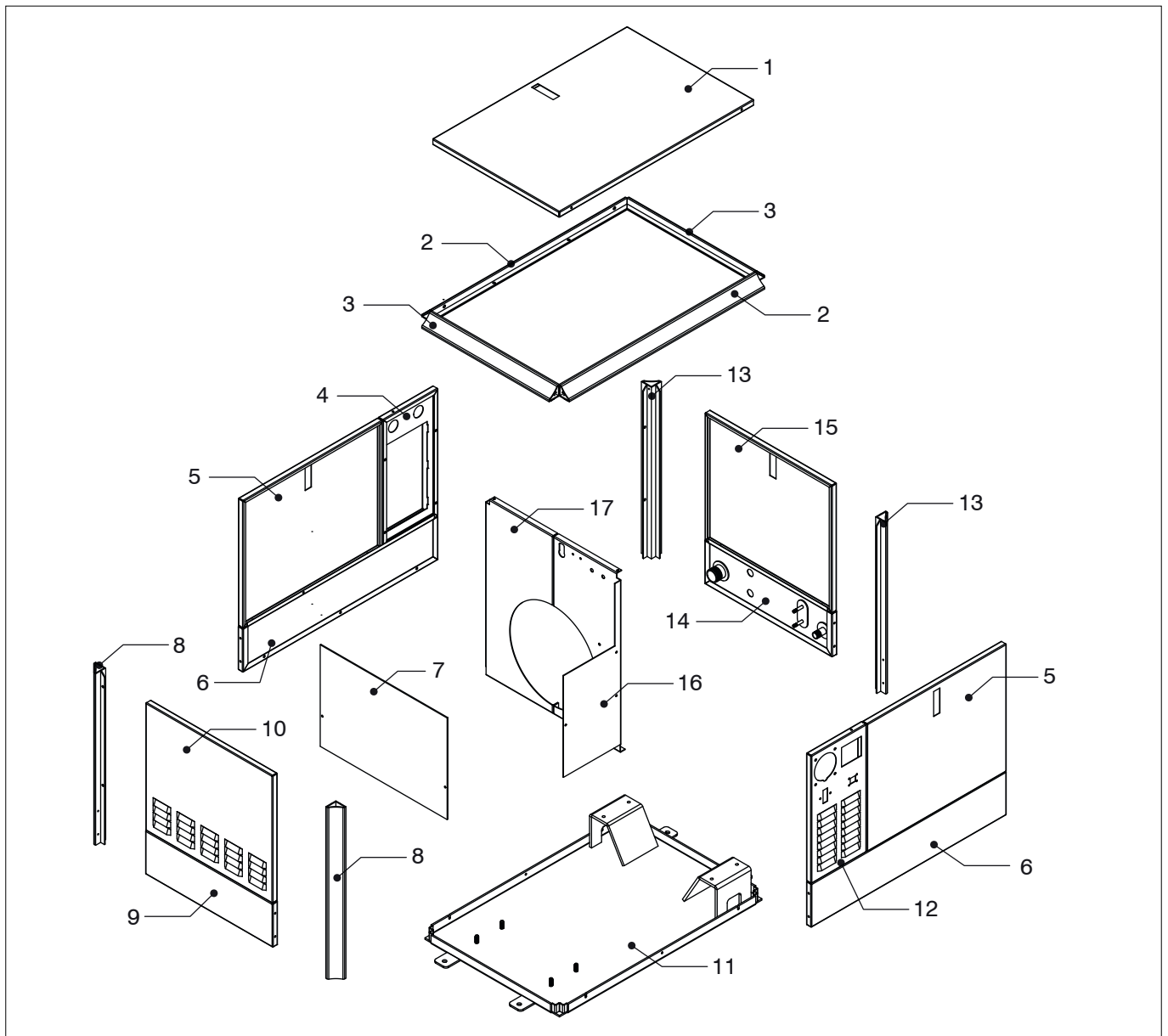
**GLX6SIC**

**GLX7SIC**

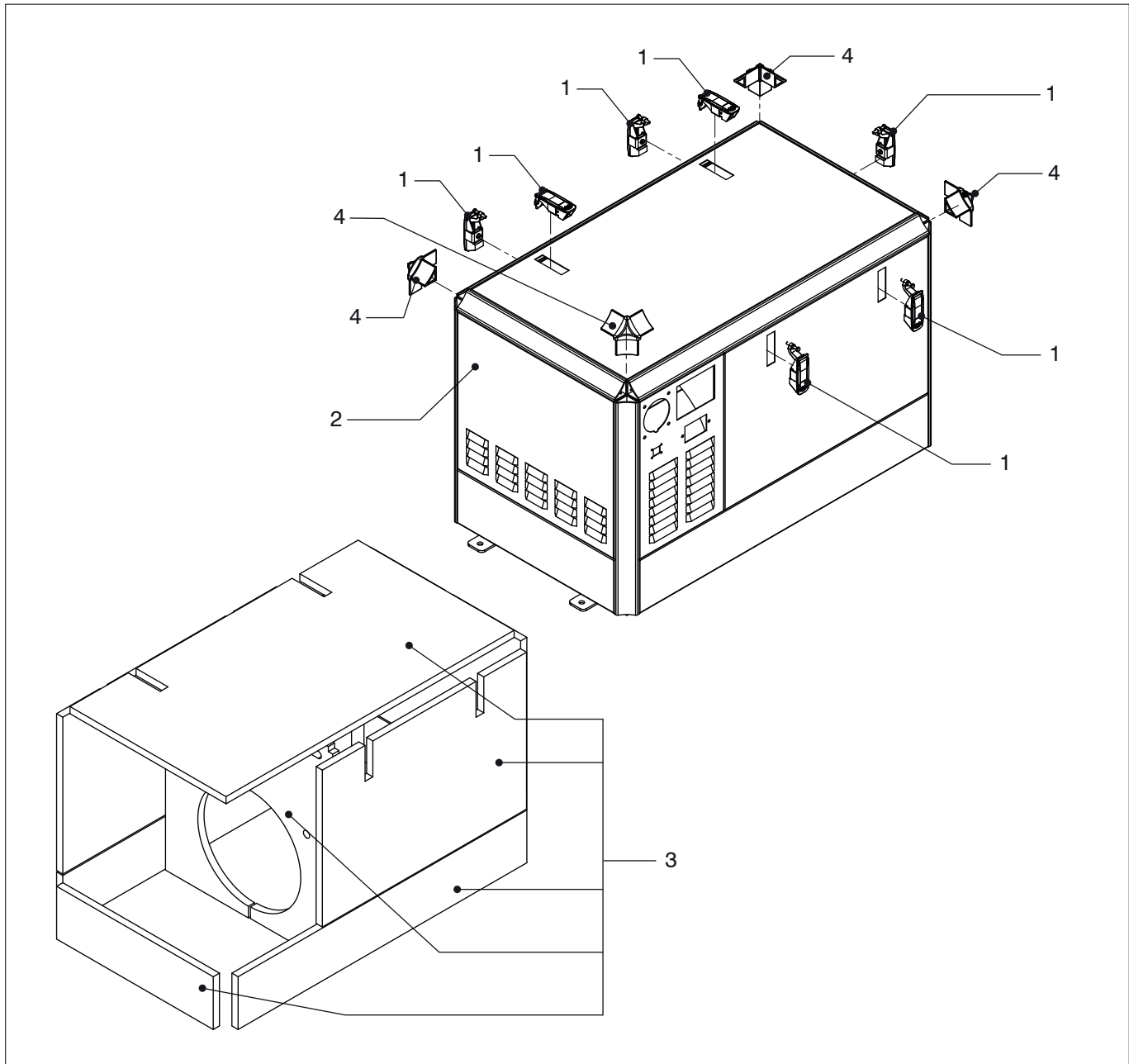
**Behuizing en isolatie**

**Canopy and insulation**

pos.	qty	part	benaming	description
1	1	15-0099	Behuizing, compleet	Housing, complete
2	1	16-3849	Isolatieset	Insulation set
3	4	12-4585	Koppeling 3-weg	Coupling 3-way
4	2	15-1421	Sticker GLX6	Label GLX6
5	1	14-9450	Sticker, 'Waarschuwingssymbolen'	Label, 'Warning symbols'
6	4	14-7846	Slot	Lock



GLX6SIC	GLX7SIC	Behuizing	Canopy	
pos.	qty	part	benaming	description
1	1	14-8089	Bovenpaneel	Top panel
2	2	14-8086	Profiel L=777	Profile L=777
3	2	14-8085	Profiel L=507	Profile L=507
4	1	16-3227	Luchtuitlaat paneel	Air outlet panel
5	2	14-8087	Zijpaneel	Side cover
6	2	14-8078	Zijplint	Side panel
7	1	16-3216	Luchtafscherming	Air shield
8	2	14-8077	Profiel L=591 achterkant	Profile L=591 back
9	1	14-8159	Zijplint	Side panel
10	1	14-8354	Paneel achterkant	Back cover
11	1	14-8186	Bodempaneel	Assembly bottom
12	1	14-8102	Ventilatiepaneel	Vent cover
13	2	14-8084	Profiel L=591	Profile L=591
14	1	14-8363	Plint voorkant	Assy front cover
15	1	14-8088	Paneel voorkant	Front cover
16	1	14-8106	Luchtafscherming	Air shield
17	1	14-8367	Luchtafscherming	Air shield

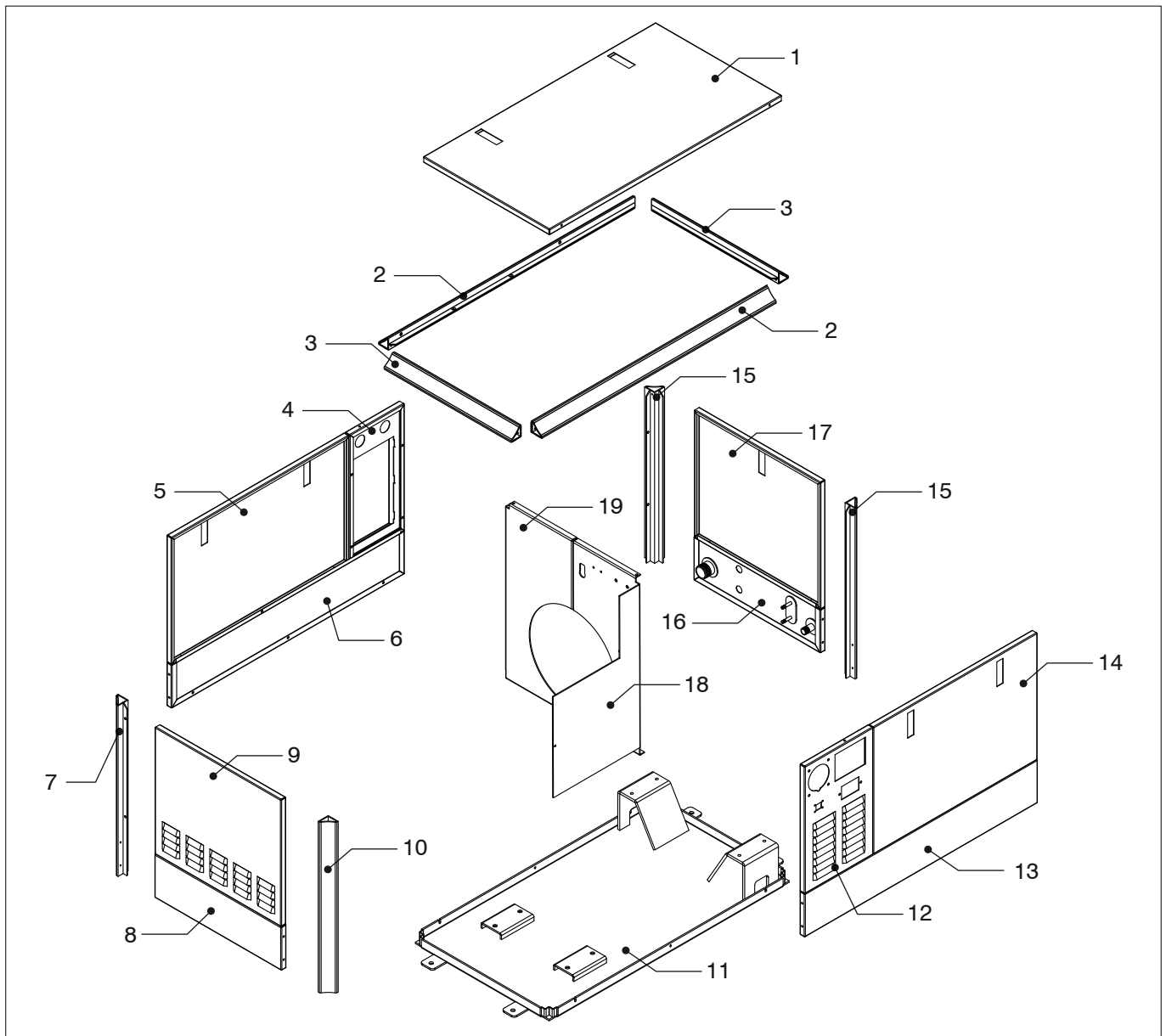


**GHX14TIC**

**Behuizing en isolatie**

**Canopy and insulation**

pos.	qty	part	benaming	description
1	7	<b>14-7846</b>	Slot	Lock
2	1	<b>16-3666</b>	Behuizing, compleet	Housing, complete
3	1	<b>16-3876</b>	Isolatieset	Insulation set
4	4	<b>12-4585</b>	Koppeling 3-weg	Coupling 3-way

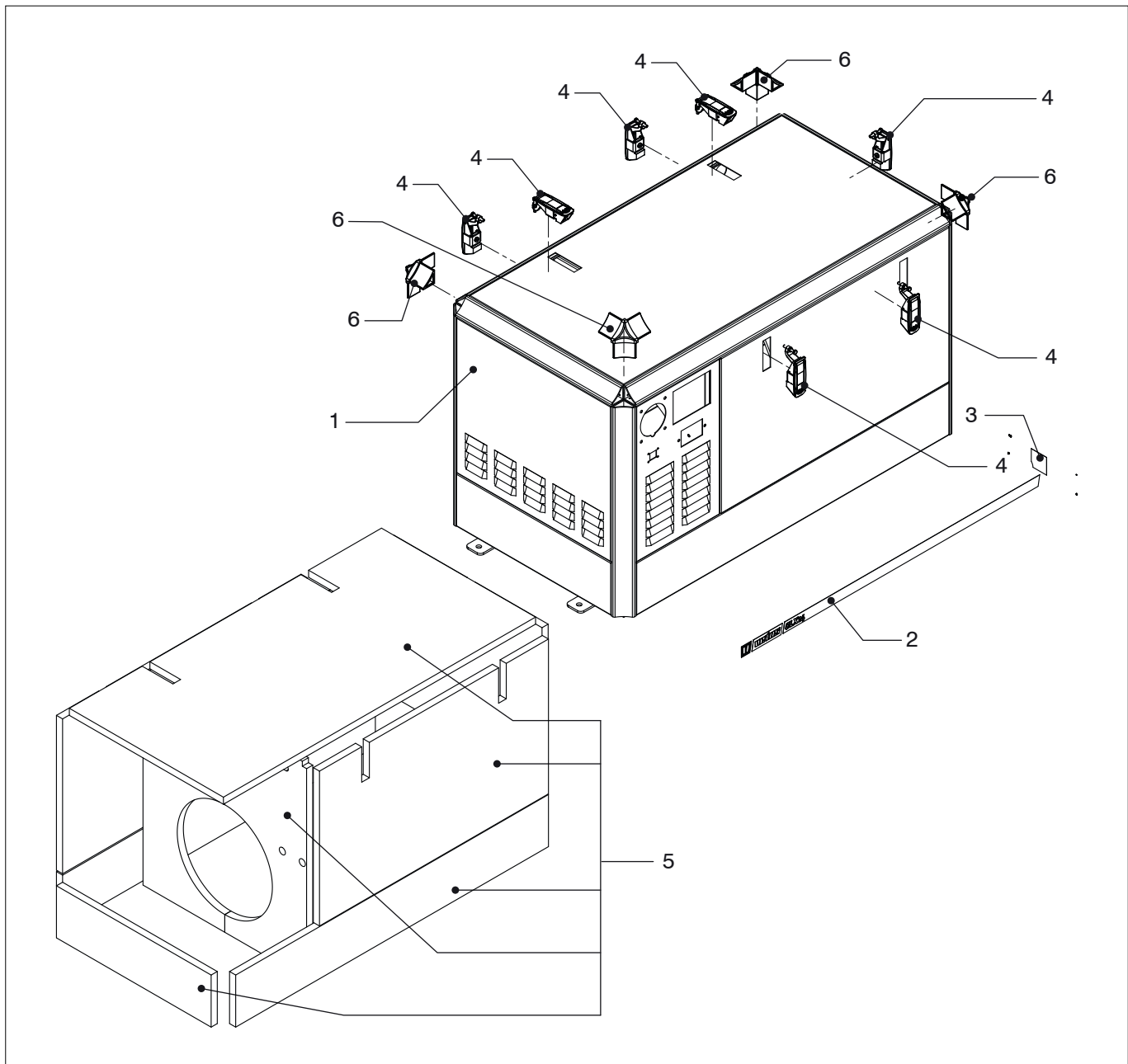


**GHX14TIC**

**Behuizing**

**Canopy**

pos.	qty	part	benaming	description
1	1	14-9069	Bovenpaneel	Top panel
2	2	14-9066	Profiel L=932	Profile L=932
3	2	14-9065	Profiel L=507	Profile L=507
4	1	16-3227	Luchtuitlaat paneel	Air outlet panel
5	1	14-9067	Zijpaneel	Side cover
6	1	14-9063	Zijplint	Side panel
7	1	14-8077	Profiel L=591 achterkant	Profile L=591 back
8	1	14-9074	Zijplint	Side panel
9	1	14-8354	Paneel achterkant	Back cover
10	1	14-9064	Profiel L=591 achterkant	Profile L=591 back
11	1	14-9075	Bodempaneel	Assembly bottom
12	1	14-9242	Ventilatiepaneel	Vent cover
13	1	16-3657	Zijplint	Side panel
14	1	16-3658	Zijpaneel	Side cover
15	2	14-8084	Profiel L=591	Profile L=591
16	1	14-8363	Plint voorkant	Assy front cover
17	1	14-9068	Paneel voorkant	Front cover
18	1	16-3684	Luchtafscherming	Air shield
19	1	15-0148	Luchtafscherming	Air shield

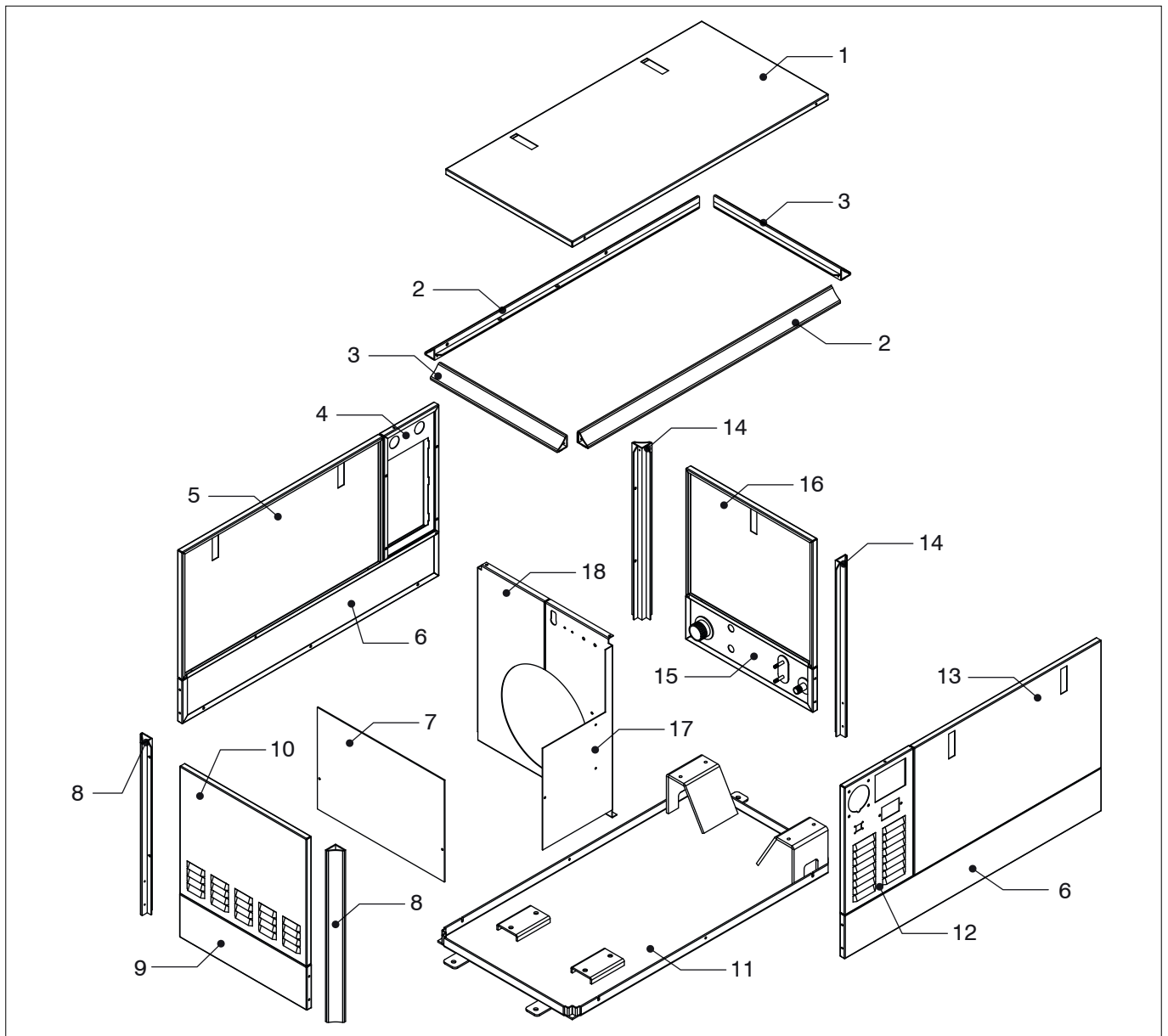


**GLX14TIC**

**Behuizing en isolatie**

**Canopy and insulation**

pos.	qty	part	benaming	description
1	1	15-1352	Behuizing, compleet	Housing, complete
2	2	14-9317	Sticker GLX14	Label GLX14
3	1	14-9450	Sticker, 'Symbolen'	Label, 'Symbols'
4	7	14-7846	Slot	Lock
5	1	16-3875	Isolatieset	Insulation set
6	4	12-4585	Koppeling 3-weg	Coupling 3-way



**GLX14TIC**

**Behuizing**

**Canopy**

pos.	qty	part	benaming	description
1	1	15-0822	Bovenpaneel	Top panel
2	2	15-0819	Profiel L=1092	Profile L=1092
3	2	14-9065	Profiel L=507	Profile L=507
4	1	14-9445	Luchtuitlaat paneel	Air output panel
5	1	15-0820	Zijpaneel	Side cover
6	2	15-0816	Zijplint	Side panel
7	1	16-3216	Luchtafscherming	Air shield
8	2	14-9064	Profiel L=591 achterkant	Profile L=591 back
9	1	14-9074	Zijplint	Side panel
10	1	14-8354	Paneel achterkant	Back cover
11	1	15-0824	Bodempaneel	Assembly bottom
12	1	14-9242	Ventilatiepaneel	Vent cover
13	1	15-2260	Zijplint	Side panel
14	2	14-8084	Profiel L=591	Profile L=591
15	1	15-0889	Plint voorkant	Assy front cover
16	1	14-9068	Paneel voorkant	Front cover
17	1	15-0832	Luchtafscherming	Air shield
18	1	15-0833	Luchtafscherming	Air shield

# Register Index

art.nr. / part	pag. page	pos.	art.nr. / part	pag. page	pos.	art.nr. / part	pag. page	pos.	art.nr. / part	pag. page	pos.
08-01308	1-1	8	14-8354	9-3	10	14-9283	4-1	11	15-0822	9-12	1
08-01308	1-2	7	14-8354	9-4	10	14-9283	4-2	8	15-0824	9-6	11
08-01374	1-2	8	14-8354	9-6	10	14-9283	4-3	8	15-0824	9-12	11
08-01376	1-1	9	14-8354	9-8	10	14-9283	4-4	7	15-0832	9-6	16
12-4585	9-1	5	14-8354	9-10	9	14-9283	4-5	13	15-0832	9-12	17
12-4585	9-2	3	14-8354	9-12	10	14-9283	4-6	9	15-0833	9-6	7
12-4585	9-5	4	14-8363	9-3	16	14-9317	9-11	2	15-0833	9-12	18
12-4585	9-7	3	14-8363	9-4	14	14-9423	9-4	6	15-0889	9-6	15
12-4585	9-9	4	14-8363	9-8	14	14-9424	9-4	7	15-0889	9-12	15
12-4585	9-11	6	14-8363	9-10	16	14-9425	9-4	13	15-1287	9-1	1
13-6440	4-1	6	14-8367	9-8	17	14-9426	9-4	3	15-1352	9-11	1
14-7846	9-2	6	14-9063	9-3	6	14-9427	9-4	2	15-1399	4-1	1
14-7846	9-5	1	14-9063	9-10	6	14-9428	9-4	5	15-1399	4-2	3
14-7846	9-7	6	14-9064	9-3	11	14-9429	9-4	15	15-1399	4-3	3
14-7846	9-9	1	14-9064	9-6	8	14-9430	9-4	1	15-1399	4-4	1
14-7846	9-11	4	14-9064	9-10	10	14-9432	4-1	13	15-1399	4-5	3
14-7846	9-1	4	14-9064	9-12	8	14-9432	4-2	15	15-1399	4-6	2
14-8077	9-3	8	14-9065	9-3	3	14-9432	4-3	15	15-1400	4-1	2
14-8077	9-8	8	14-9065	9-6	3	14-9432	4-4	14	15-1400	4-2	4
14-8077	9-10	7	14-9065	9-10	3	14-9432	4-5	8	15-1400	4-3	4
14-8078	9-8	6	14-9065	9-12	3	14-9434	9-4	16	15-1400	4-4	2
14-8084	9-3	14	14-9066	9-3	2	14-9437	9-4	17	15-1400	4-5	4
14-8084	9-6	13	14-9066	9-10	2	14-9438	9-4	9	15-1400	4-6	3
14-8084	9-8	13	14-9067	9-3	5	14-9439	9-4	11	15-1420	9-1	2
14-8084	9-10	15	14-9067	9-10	5	14-9443	4-1	3	15-1421	9-7	4
14-8084	9-12	14	14-9068	9-3	15	14-9443	4-4	6	15-1700	7-1	5
14-8085	9-8	3	14-9068	9-6	14	14-9445	9-6	4	15-1700	7-2	6
14-8086	9-8	2	14-9068	9-10	17	14-9445	9-12	4	15-1700	7-3	8
14-8087	9-8	5	14-9068	9-12	16	14-9450	9-2	5	15-1700	7-4	5
14-8088	9-8	15	14-9069	9-3	1	14-9450	9-7	5	15-1700	7-5	6
14-8089	9-8	1	14-9069	9-10	1	14-9450	9-11	3	15-1700	7-6	5
14-8102	9-3	13	14-9074	9-3	9	14-9450	9-1	3	15-2260	9-12	13
14-8102	9-4	12	14-9074	9-6	9	14-9453	4-4	5	16-3216	9-3	7
14-8102	9-6	12	14-9074	9-10	8	15-0099	9-7	1	16-3216	9-4	8
14-8102	9-8	12	14-9074	9-12	9	15-0147	9-3	17	16-3216	9-8	7
14-8104	4-1	5	14-9075	9-3	12	15-0148	9-3	18	16-3216	9-12	7
14-8104	4-2	1	14-9075	9-10	11	15-0148	9-10	19	16-3227	9-3	4
14-8104	4-3	1	14-9077	4-2	5	15-0151	9-2	1	16-3227	9-4	4
14-8104	4-4	4	14-9077	4-3	5	15-0806	9-5	2	16-3227	9-8	4
14-8106	9-8	16	14-9082	9-2	4	15-0816	9-6	6	16-3227	9-10	4
14-8119	4-5	2	14-9241	4-5	5	15-0816	9-12	6	16-3235	9-4	18
14-8119	4-6	8	14-9241	4-6	6	15-0819	9-6	2	16-3640	4-2	6
14-8120	4-1	4	14-9242	9-10	12	15-0819	9-12	2	16-3640	4-3	6
14-8120	4-4	3	14-9242	9-12	12	15-0820	9-6	5	16-3657	9-10	13
14-8159	9-8	9	14-9248	4-5	1	15-0820	9-12	5	16-3658	9-10	14
14-8186	9-8	11	14-9248	4-6	4	15-0822	9-6	1	16-3666	9-9	2



art.nr. / part	pag. page	pos.	art.nr. / part	pag. page	pos.	art.nr. / part	pag. page	pos.	art.nr. / part	pag. page	pos.
16-3684	9-10	18	91292A207	7-2	7	SK160CA2	7-1	4			
16-3849	9-7	2	95211A200	7-2	11	SK160MA1	7-3	4			
16-3856	9-2	2	B08167R4	7-3	9	SK160MA2	7-5	4			
16-3873	9-1	6	B08167R4	7-4	8	SK160MA4	7-6	4			
16-3874	9-5	3	B08257R	7-6	12	SK160SA1	7-4	4			
16-3875	9-11	5	B08257R4	7-1	8	STM0051	1-1	5			
16-3876	9-9	3	B08257R4	7-5	8	STM0051	1-2	5			
16-4024	4-2	2	B10167R	7-1	10	STM0052	1-1	10			
16-4024	4-3	2	B10167R	7-5	11	STM0052	1-2	10			
16-4588	4-1	7	B10307R	7-3	5	STM3690	1-1	3			
16-4588	4-2	7	B10307R	7-6	10	STM3690	1-2	3			
16-4588	4-3	7	K5012V	7-1	3	STM4050	1-1	7			
16-4588	4-4	8	K5012V	7-2	3	STM4050	1-2	6			
16-4588	4-5	7	K5012V	7-3	3	STM4614	1-1	1			
16-4588	4-6	7	K5012V	7-4	2	STM4614	1-2	1			
16-4655	4-1	8	K5012V	7-5	3	STM6113	1-1	2			
16-4655	4-2	9	K5012V	7-6	3	STM6113	1-2	2			
16-4655	4-3	9	KGEN5016	7-1	2	STM7439	1-1	6			
16-4655	4-4	9	KGEN5016	7-3	2	STM8076	1-1	4			
16-4655	4-5	10	KGEN5016	7-4	3	STM8076	1-2	4			
16-4655	4-6	1	KGEN5016	7-6	2	STM9043	4-2	13			
16-4657	4-1	9	Ksteun75	7-2	2	STM9043	4-3	13			
16-4657	4-2	10	Ksteun75	7-5	2	STM9050	4-1	10			
16-4657	4-3	10	R081R	7-6	13	STM9050	4-2	12			
16-4657	4-4	10	R081R4	7-2	9	STM9050	4-3	12			
16-4657	4-5	11	R081R4	7-4	9	STM9050	4-4	11			
16-4657	4-6	11	R081R4	7-5	10	STM9050	4-5	9			
16-4803	4-5	6	R084R	7-3	10	STM9857	1-2	9			
16-4843	7-2	10	R084R	7-6	14	STM9858	1-2	9			
16-4957	4-1	14	R084R4	7-1	9						
16-4957	4-2	14	R084R4	7-2	8						
16-4957	4-3	14	R084R4	7-4	10						
16-4957	4-4	13	R084R4	7-5	9						
16-4957	4-5	12	R101R4	7-2	12						
16-6099	4-2	11	R101R4	7-3	7						
16-6099	4-3	11	R102R4	7-1	7						
16-6099	4-4	12	R104R	7-1	6						
16-6099	4-5	14	R104R	7-3	6						
16-6099	4-6	10	R104R	7-4	6						
16-6134	4-1	12	R104R	7-5	12						
17-7832	4-6	5	R104R	7-6	6						
218GEN	7-1	1	R104R4	7-2	5						
329HGEN	7-2	1	R104R4	7-5	7						
329HGEN	7-5	1	R122R	7-3	11						
329LGEN	7-4	1	R122R4	7-4	7						
455LGEN	7-3	1	R122R4	7-5	5						
455LGEN	7-6	1	R122R4	7-6	9						
91292A158	7-2	13	SK-160 LA 2	7-2	4						

**VETUS** b.v.

FOKKERSTRAAT 571 - 3125 BD SCHIEDAM - HOLLAND  
TEL.: +31 0(0)88 4884700 - sales@vetus.nl - www.vetus.com

GHX8 GHX14 GLX6 GLX7 GLX14